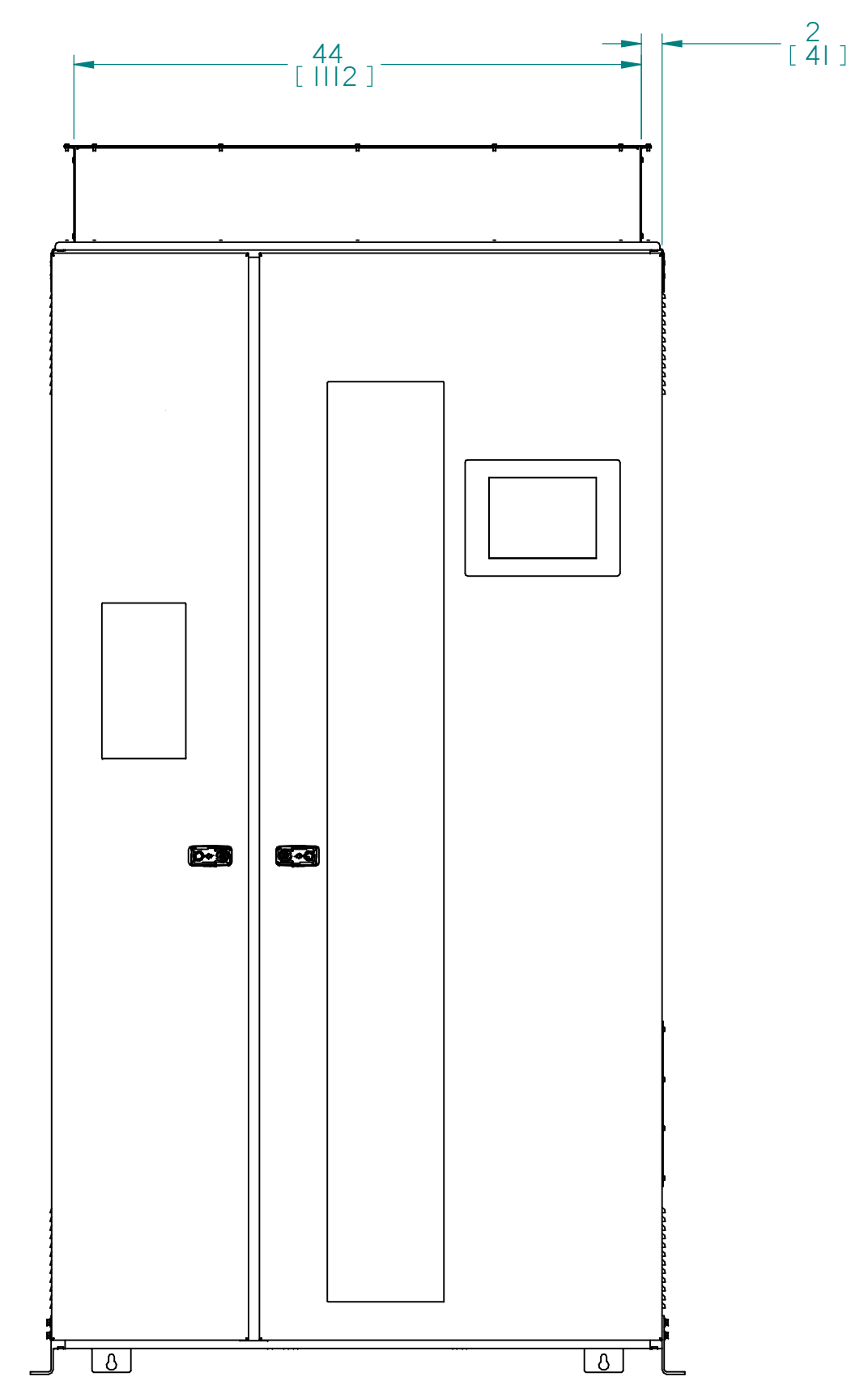
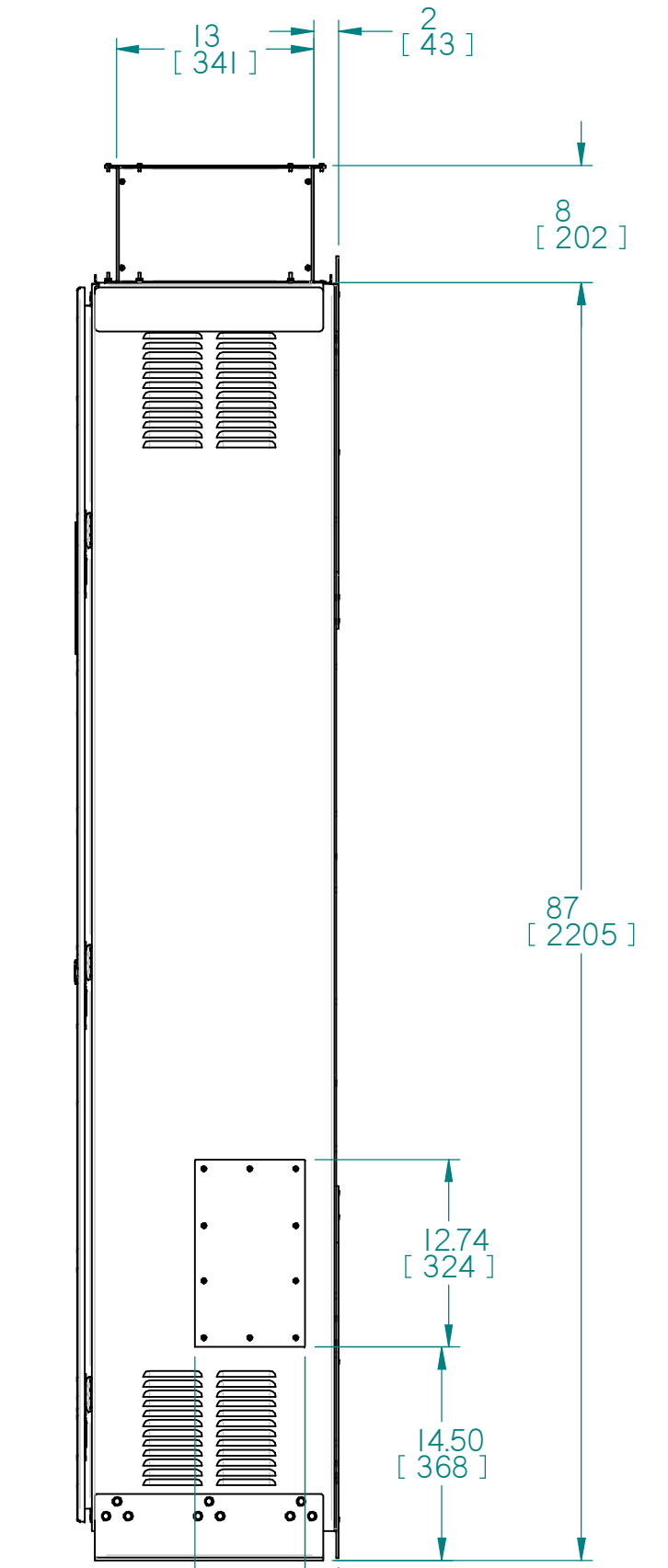


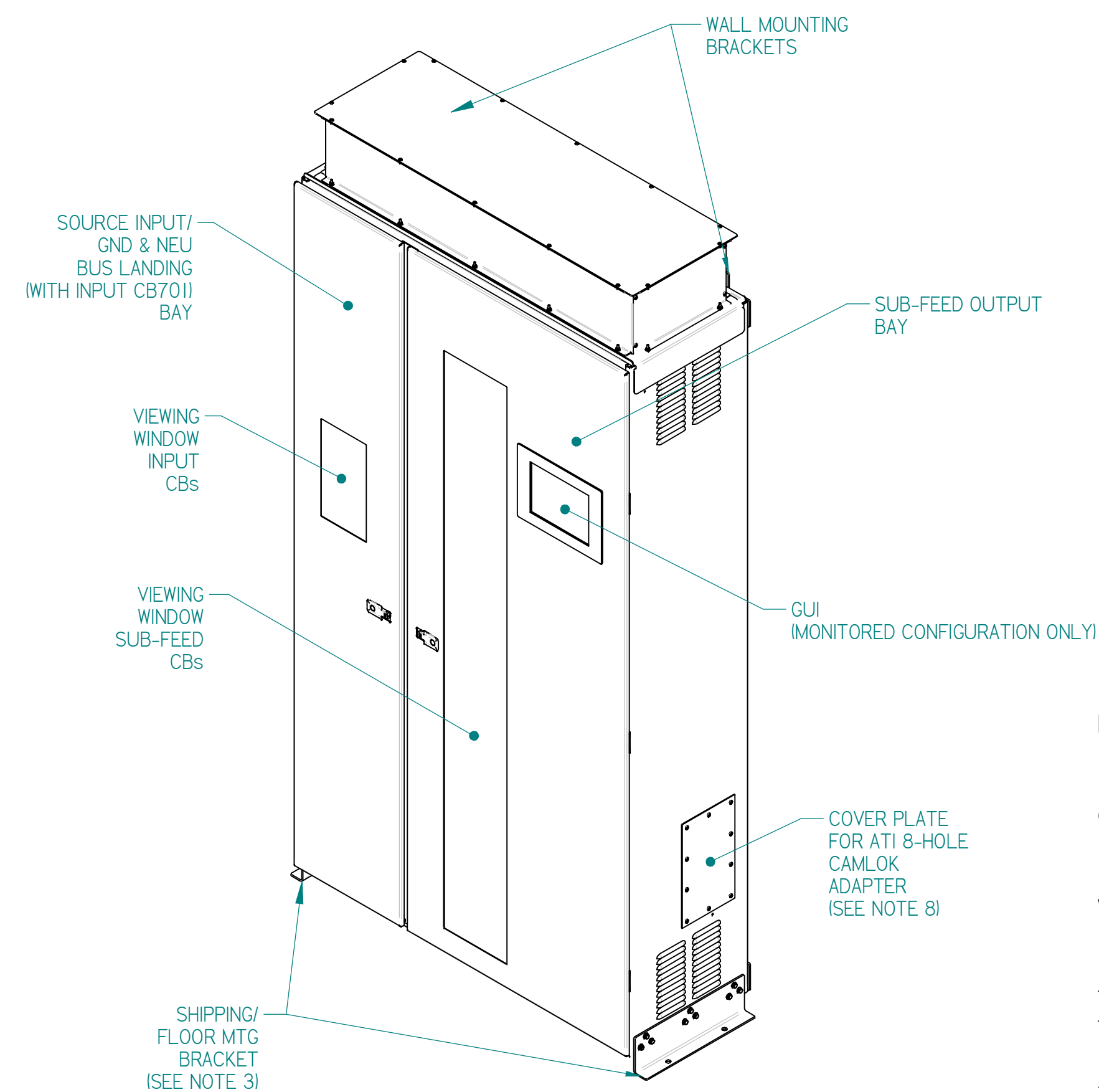
REVISIONS				
ECN	REV	DESCRIPTION	DATE	APPROVED
-	A	NEW RELEASE	4/16/2021	PTP



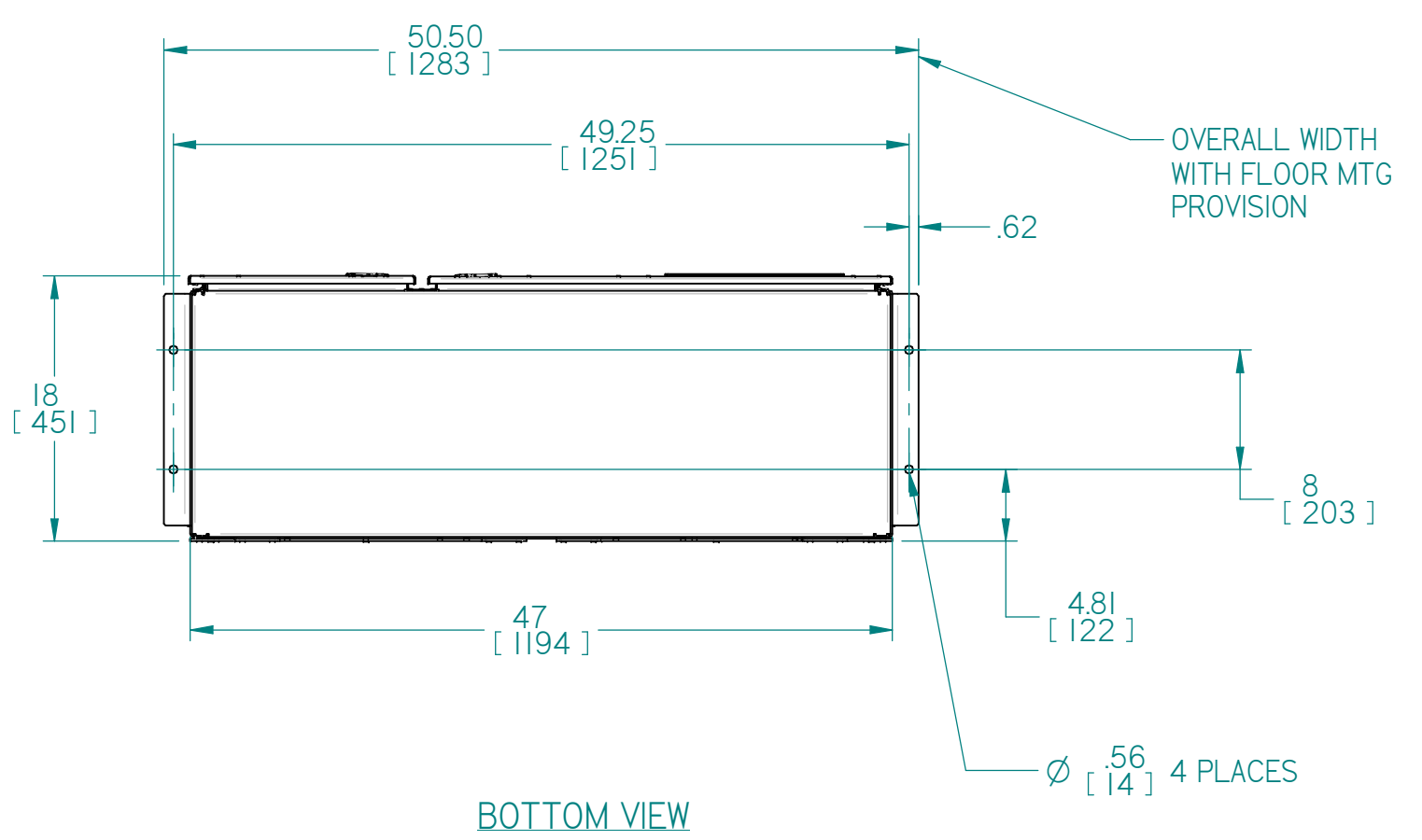
FRONT VIEW



RIGHT VIEW



ISOMETRIC VIEW



BOTTOM VIEW

CLEARANCES:  
 FRONT: 42IN [1067]  
 REAR: 0.25IN [6]  
 LEFT: 0.25IN [6]  
 RIGHT: 0.25 [6]  
 \*RIGHT: 42IN [1067]  
 W/CB702  
 TOP: 18IN [457]  
 WEIGHT: 1082#

Notes:

1. Front access only required for operation and servicing of the RDP. Source Inputs and Output load cabling may be wired from either the top or bottom. The RDP is configured with 800AF Input CB.
2. The RDP is mounted on a common frame with all internal connections factory provided. Sheet 2 will show detail for wall mounting of the unit, along with wall anchoring locations.
3. The RDP is optionally capable of mounting to the floor. The adjacent view on Sheet 1 shows the floor mounting detail. If this option is not used the floor mounting brackets may be removed in the field.
4. The RDP contains a top mounted Junction Box which ships separately and is field assembled. The Junction Box detail is shown on Sheet 1 only.
5. See Sheet 2 for Cable Access Areas (Table I) and recommended wire size (Table II).
6. See Sheet 2, Table 2, for available configurations of Sub-Feed Circuit Breakers.
  - Circuit Breakers are based on their maximum frame rating (AF).
  - 36 rows are available for this specific configuration.
  - The SafePanel is center-tapped with a maximum total current of 1200A. The maximum current on either side of the tap is 800A.
  - For 400A Breakers the maximum rating of adjacent circuit breakers is 80%.
  - For a 100% rating one empty space is required above circuit breaker
7. See Sheet 3 for detail of interior components. Notes are shown for either of the 2 optional input configurations.
8. See Sheet 4 for Cable I/O landing locations for system.
9. Optional monitoring is available for incoming current, incoming voltage, and subfeed current. Please specify at the time of order.
10. An optional 800AF Auxiliary Input CB is available. Please specify at the time of order. The optional 800AF Auxiliary Input CB may be connected to CAMLOCK cable adapters per ATI 8-hole plate. The customer is responsible for the CAMLOCK adapter and cabling from the Auxiliary Input CB.
11. See One-Line electrical diagram for further detail.

REF: 94-MS-40707503

Copyright © 2021, LayerZero Power Systems, Inc.

UNLESS OTHERWISE SPECIFIED  
 DIMENSIONS ARE IN INCHES  
 DIMENSIONS IN [ ] ARE IN mm  
 DO NOT SCALE DRAWING

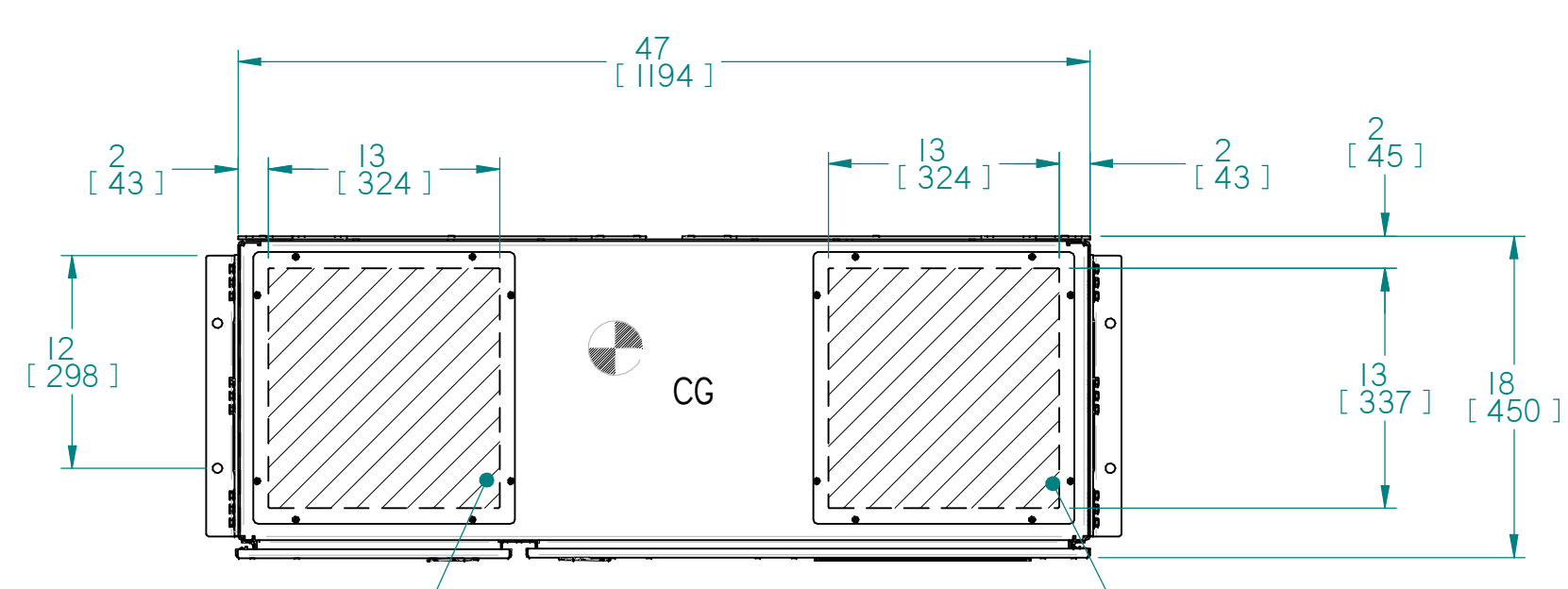
TOLERANCES:  
 .XX ± .03  
 .XXX ± .010  
 ANGULAR ± 1/2

FIRST ANGLE PROJ.

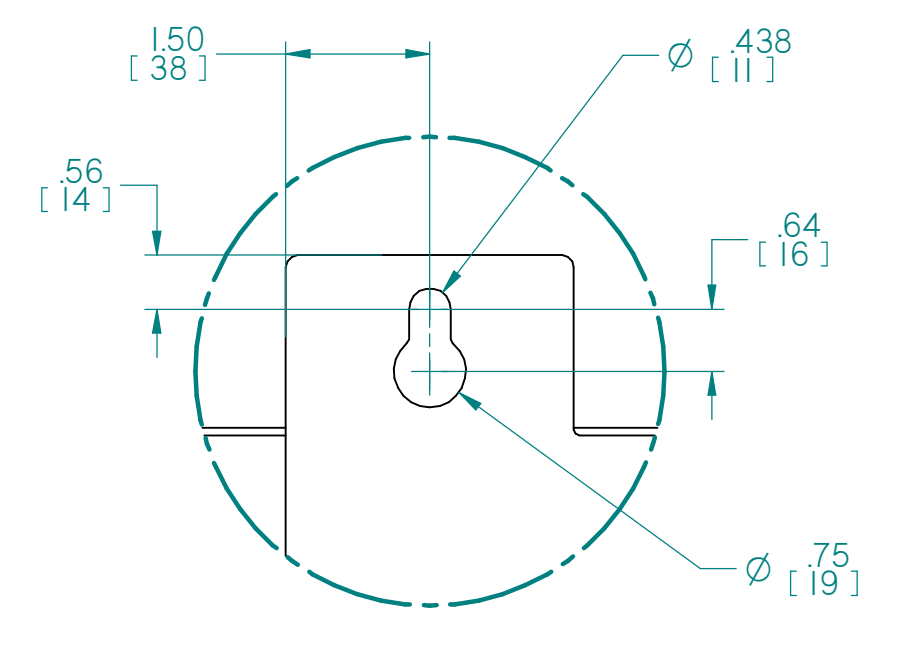
OUTLINE, MOUNTING, INSTALLATION DIAGRAM  
 120V to 480V, 3-wire or 4-wire, 60Hz, 600A/800A INPUT CB,  
 QTY 14 SUB-FEED CIRCUIT BREAKERS 1200A SAFE PANEL SUB-FEED RDP

DWN PTP	DATE 4/16/2021	SIZE D	FSCM NO.	DWG NO. 94-MS-01109401	REV A
CHK SPS	DATE 4/16/2021	SCALE 1:2		94-MS-01109401-ASHTI	SHEET 1 of 4
APVD PTP	DATE 4/16/2021				

REVISIONS				
ECN	REV	DESCRIPTION	DATE	APPROVED
-	A	NEW RELEASE	4/16/2021	PTP



TOP VIEW

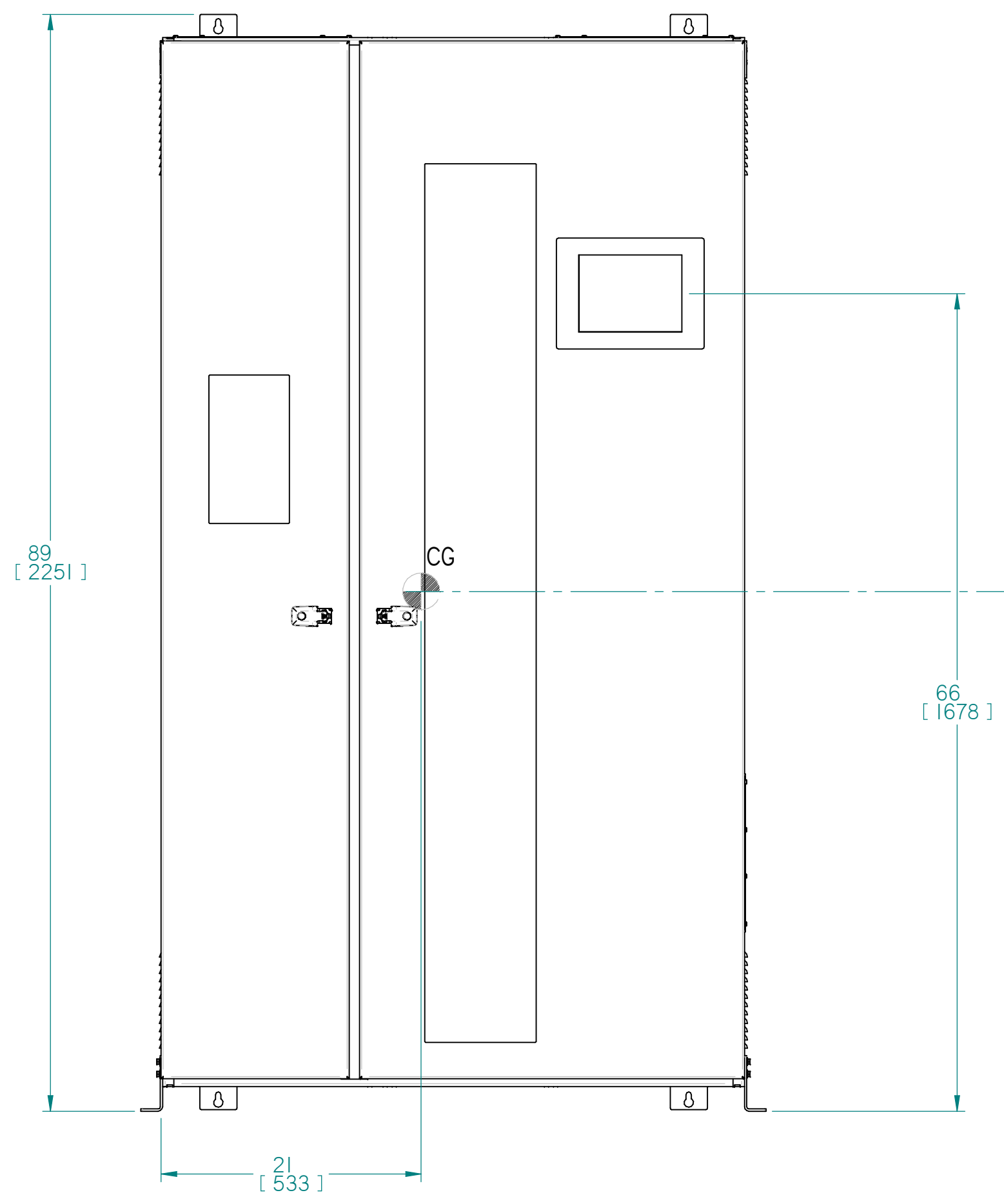


DETAIL A

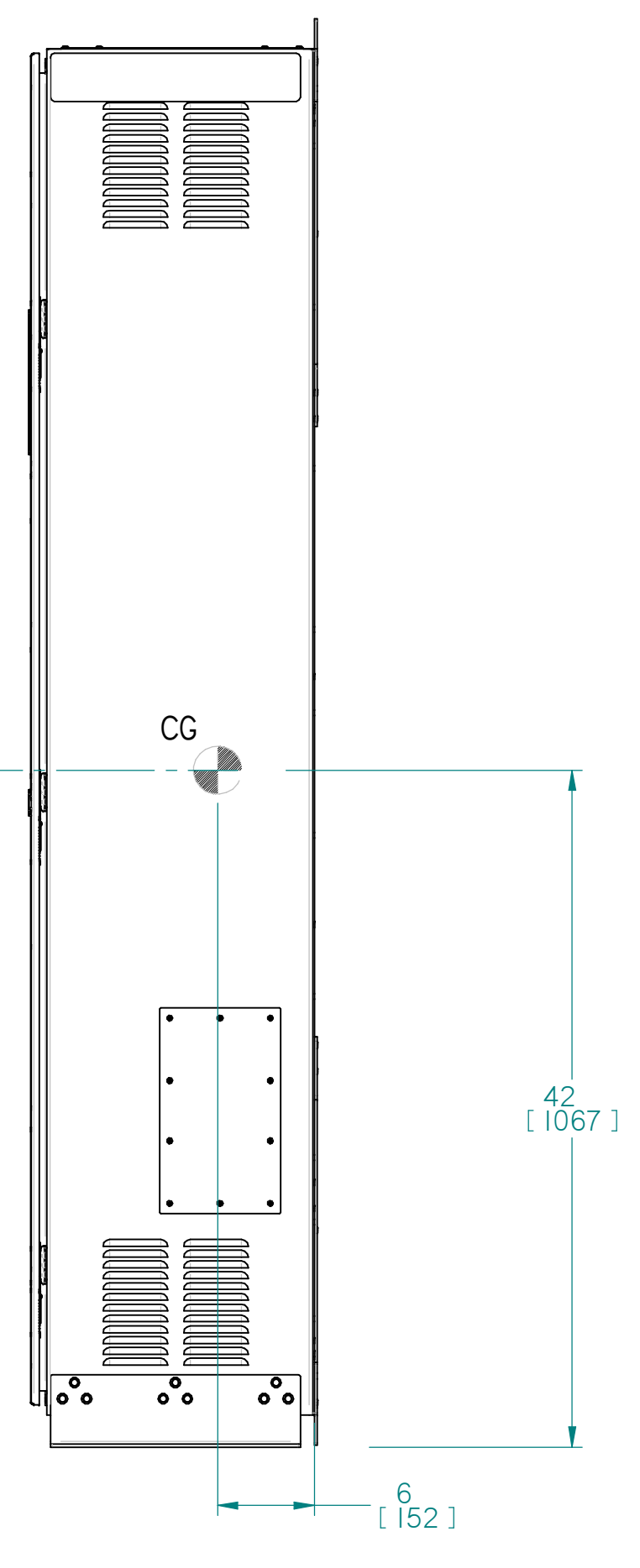
4 PLACES AS SHOWN  
 (REF. WALL MOUNT PROVISION FOR 3/8 OR M10 HDW)

TABLE 1	
Compression Lugs for incoming and load cables provided by others	
DESCRIPTION	CABLE SIZE AND LUGS
SYSTEM INPUT OPTIONS [CB701] (800A) (2 POSITIONS PER PHASE) (600A) (2 POSITIONS PER PHASE)	NEMA 2-HOLE (1/2" DIA) ON 1-3/4 CENTER BUS LANDING MAX TOUNGUE WIDTH: 1.75"
INPUT NEUTRAL (4 POSITIONS)	NEMA 2-HOLE (1/2" DIA) ON 1-3/4 CENTER BUS LANDING MAX TOUNGUE WIDTH: 1.75"
INPUT GND (4 POSITIONS)	NEMA 2-HOLE (1/2" DIA) ON 1-3/4 CENTER BUS LANDING MAX TOUNGUE WIDTH: 1.75"
SUB-FEED CIRCUIT BREAKER	MECHANICAL LUG PER MFG
SUB-FEED GND/NEU (27 POSITIONS)	SINGLE HOLE (1/4" DIA) MAX TOUNGUE WIDTH: 1.00"

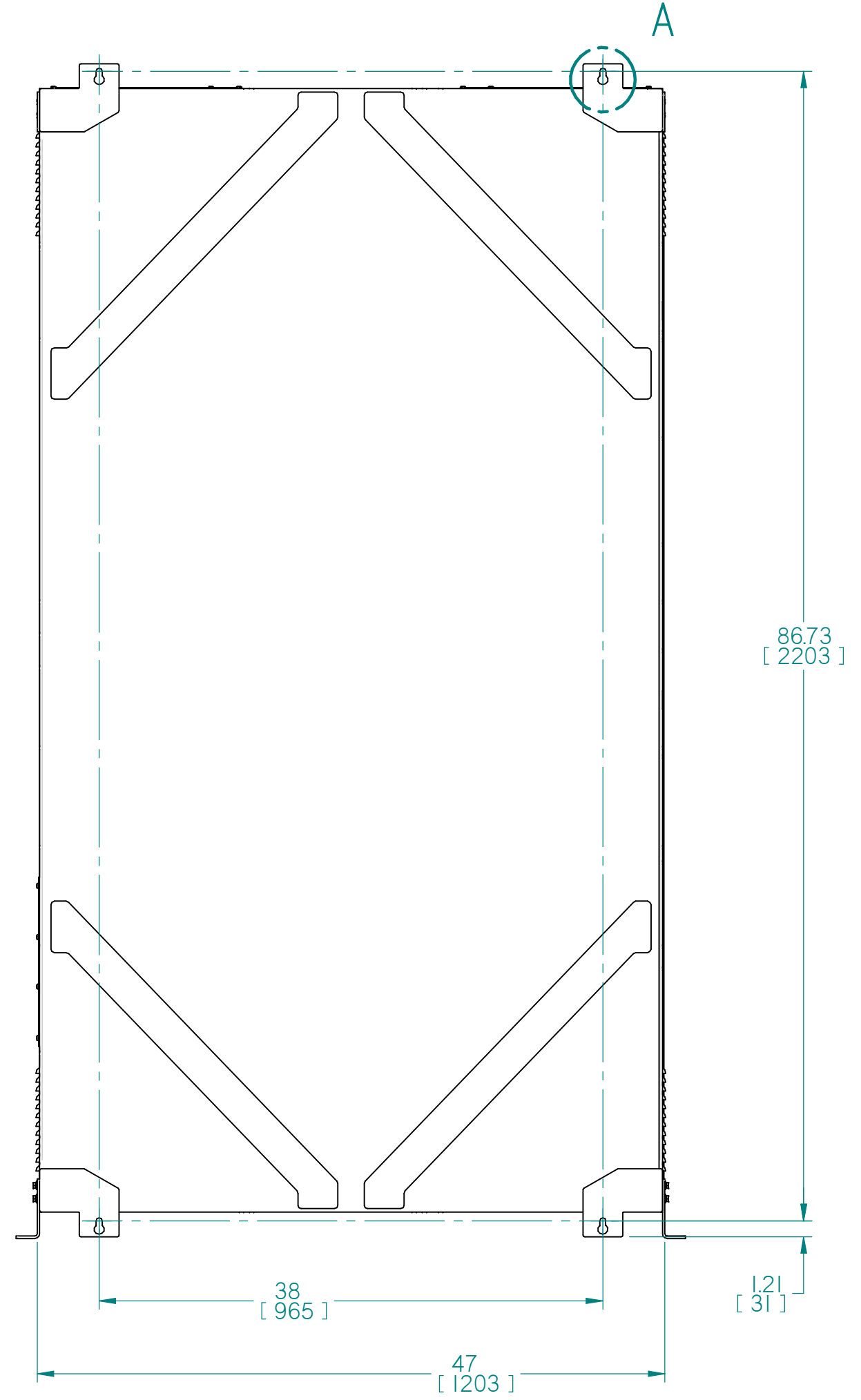
TABLE 2				
1200A SAFEPANEL CONFIGURATION OPTIONS FOR 36 ROWS				
Frame Size (AF)	Max Steady State Rating (AT)	Percent Rating (%)	Rows	Cover Plate(s)
100A	20 - 100	80, 100	2	QTY1 42-01-40405504
125A XT	125	80, 100	2	QTY1 42-01-40405534
250A	100, 150, 250	80, 100	3	QTY1 42-01-40405505
250A XT	100, 150, 250	80, 100	3	QTY1 42-01-40405535
400A	300, 400	80	3	QTY1 42-01-40405506
400A	400	100	6	QTY1 42-01-40405506 + QTY1 42-01-40405523
800A	600, 800	80, 100	6	QTY1 42-01-40405507
SPD	N/A	N/A	6	PER ORDER
BLANK -1ROW	N/A	N/A	1	QTY1 42-01-40405501
BLANK -2ROWS	N/A	N/A	2	QTY1 42-01-40405502
BLANK -3ROWS	N/A	N/A	3	QTY1 42-01-40405503



FRONT VIEW



RIGHT VIEW



REAR VIEW

Copyright © 2021, LayerZero Power Systems, Inc.

UNLESS OTHERWISE SPECIFIED DIMENSIONS ARE IN INCHES DIMENSIONS IN [ ] ARE IN mm DO NOT SCALE DRAWING

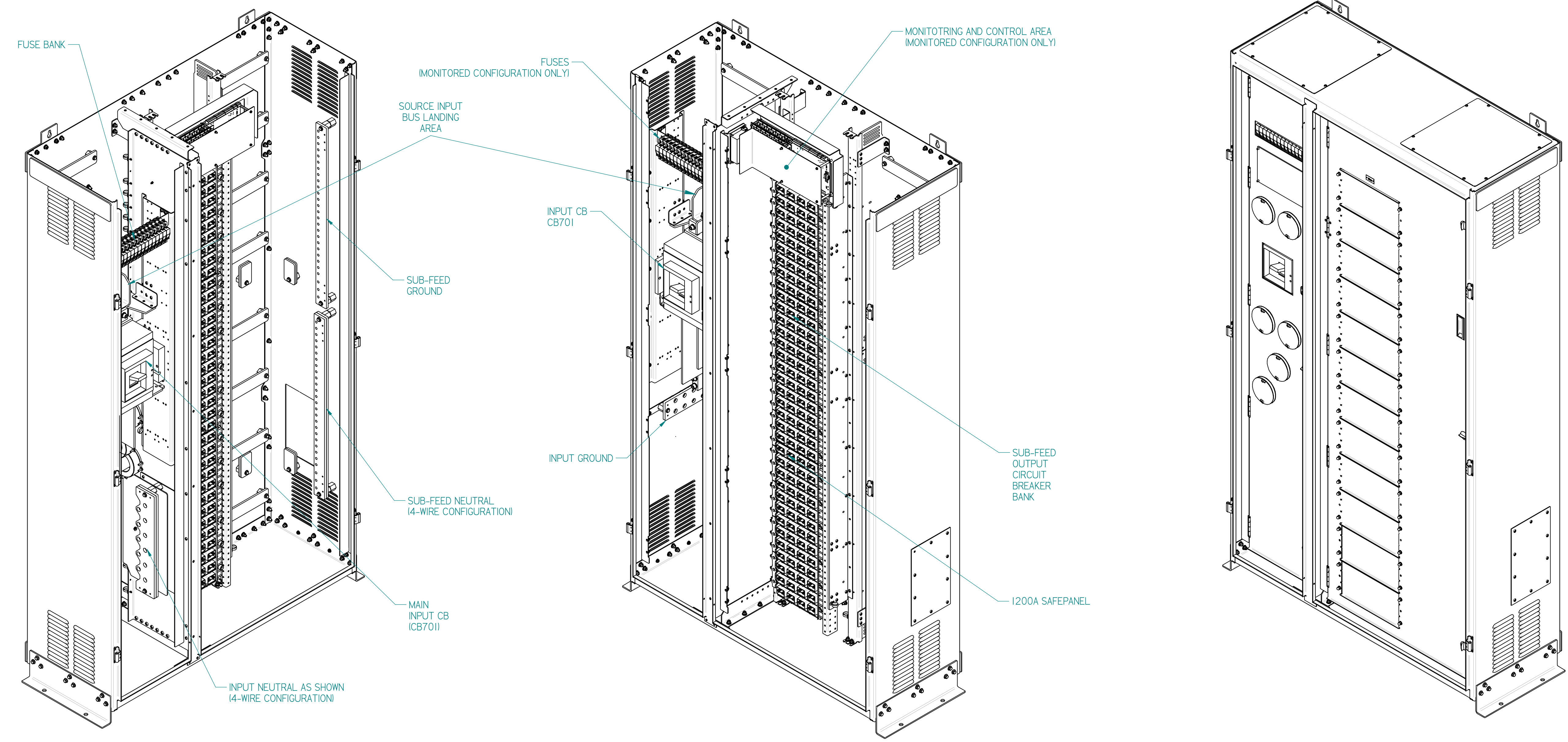
TOLERANCES:  
 .XX ± .03  
 .XXX ± .010  
 ANGULAR ± .1/2

FIRST ANGLE PROJ.

OUTLINE, MOUNTING, INSTALLATION DIAGRAM  
 120V to 480V, 3-wire or 4-wire, 60Hz, 600A/800A INPUT CB,  
 QTY 14 SUB-FEED CIRCUIT BREAKERS 1200A SAFEPANEL SUB-FEED RDP

DWN PTP	DATE 4/16/2021	SIZE D	FSCM NO.	DWG NO. 94-MS-01109401	REV A
CHK SPS	DATE 4/16/2021	SCALE 1:10		94-MS-01109401+ASH2	SHEET 2 of 4
APVD PTP	DATE 4/16/2021				

REVISIONS				
ECN	REV	DESCRIPTION	DATE	APPROVED
-	A	NEW RELEASE	4/16/2021	PTP



ISOMETRIC VIEW (LEFT)

ISOMETRIC VIEW (RIGHT)

ISOMETRIC VIEW

Copyright © 2021, LayerZero Power Systems, Inc.

UNLESS OTHERWISE SPECIFIED  
DIMENSIONS ARE IN INCHES  
DIMENSIONS IN [ ] ARE IN mm  
DO NOT SCALE DRAWING

TOLERANCES:  
.XX ± .03  
.XXX ± .010  
ANGULAR ± .1/2

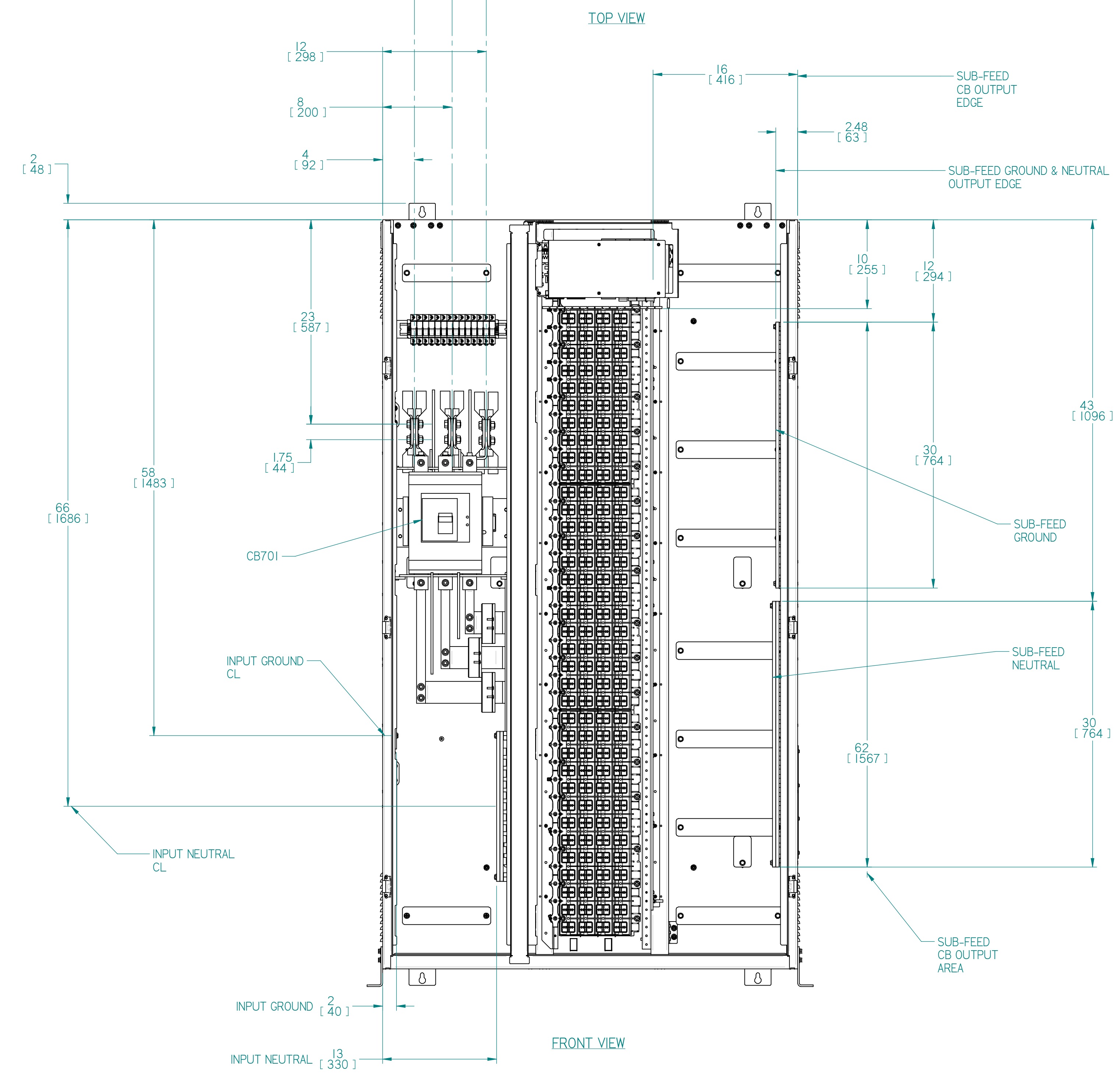
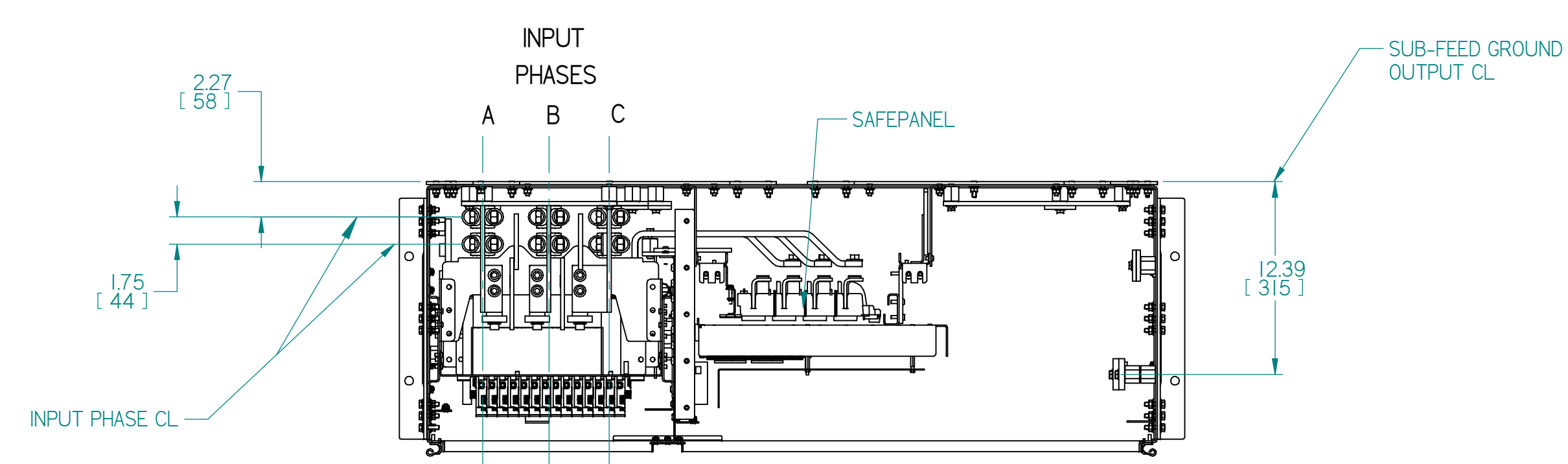
FIRST ANGLE PROJ.

**LAYERZERO**  
POWER SYSTEMS, INC.

OUTLINE, MOUNTING, INSTALLATION DIAGRAM  
120V to 480V, 3-wire or 4-wire, 60Hz, 600A/800A INPUT CB,  
QTY 14 SUB-FEED CIRCUIT BREAKERS 1200A SAFEPANEL SUB-FEED  
RDP

DWN PTP	DATE 4/16/2021	SIZE D	FSCM NO.	DWG NO. 94-MS-01109401	REV A
CHK SPS	DATE 4/16/2021	SCALE 1:8	94-MS-01109401+ASHT3	SHEET 3 of 4	
APVD PTP	DATE 4/16/2021				

REVISIONS				
ECN	REV	DESCRIPTION	DATE	APPROVED
-	A	NEW RELEASE	4/16/2021	PTP



NOTES:  
1. TOP OF FRAME REMOVED FOR CLARITY

Copyright © 2021, LayerZero Power Systems, Inc.

UNLESS OTHERWISE SPECIFIED  
DIMENSIONS ARE IN INCHES  
DIMENSIONS IN [ ] ARE IN mm  
DO NOT SCALE DRAWING

TOLERANCES:  
.XX ± .03  
.XXX ± .010  
ANGULAR ± .1/2

FIRST ANGLE PROJ.

OUTLINE, MOUNTING, INSTALLATION DIAGRAM  
120V to 480V, 3-wire or 4-wire, 60Hz, 600A/800A INPUT CB,  
QTY 14 SUB-FEED CIRCUIT BREAKERS 1200A SAFEPANEL SUB-FEED  
RDP

DWN PTP	DATE 4/16/2021	SIZE D	FSCM NO.	DWG NO. 94-MS-01109401	REV A
CHK SPS	DATE 4/16/2021	SCALE 1:1	94-MS-01109401-ASH4	SHEET 4 of 4	