

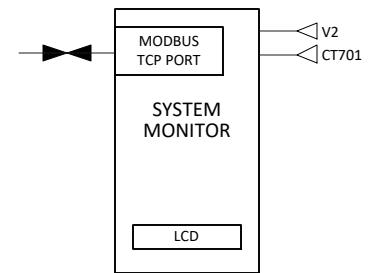
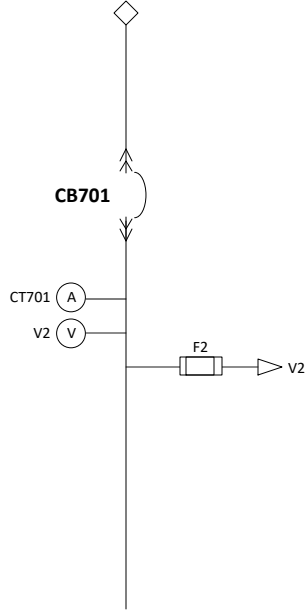
Series 70 eRDP

CIRCUIT BREAKER DATA

REF NO	RATING	FAULT RATING	TYPE	MOUNTING	AUXILIARY CONTACTS	SHUNT TRIPS	MFG	BREAKER SERIES
CB701	600AF / 600AT, 100%	65kAIC @ 480VAC (per UL ratings)	Electronic Trip (LSI) w/ Measuring 2	Fixed	No	No	ABB	Tmax T5

230/400V, 3-Phase, 4-Wire + Ground, 60Hz

600A, 100% Neutral



ADDITIONAL INFORMATION:

1. Input Terminals: Two-hole Compression Lug Terminals
2. Display Type: Incorporated into Main Circuit Breaker

SAFEPANEL NOTES

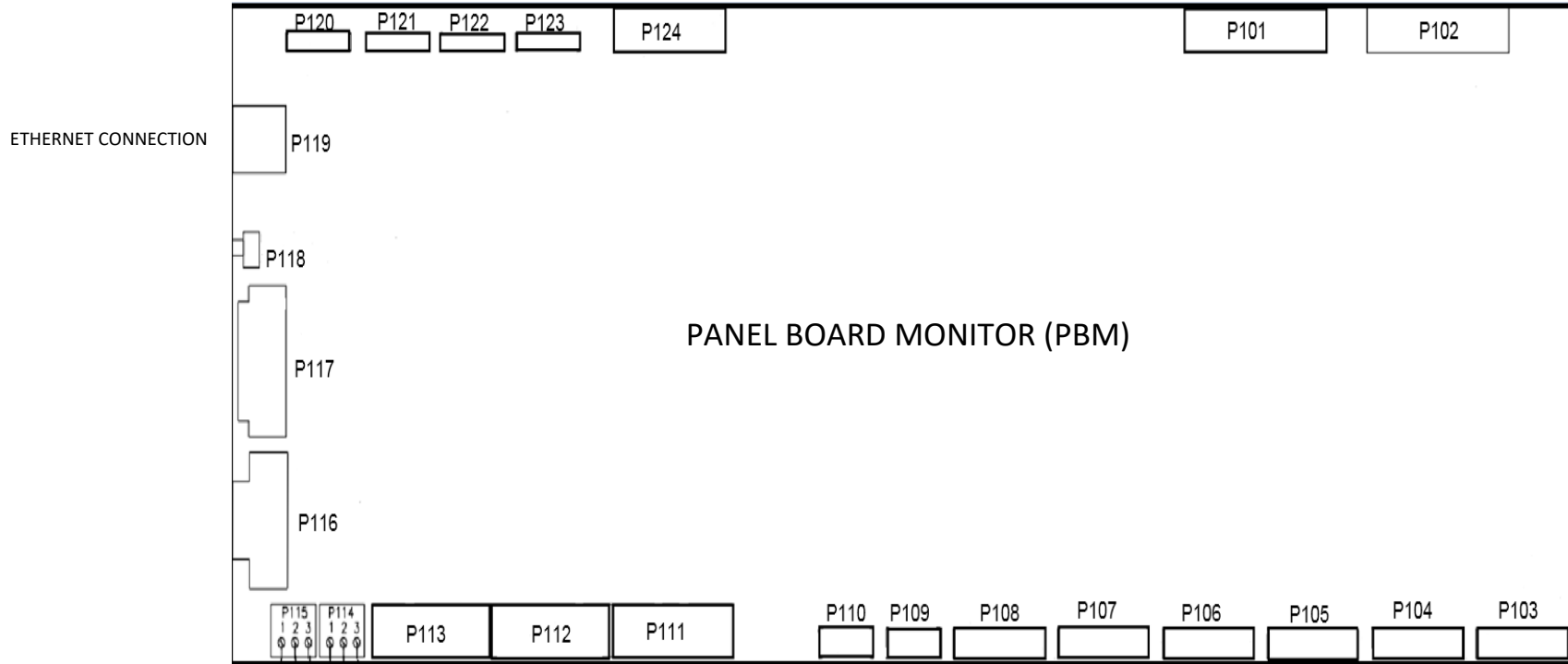
1. SAFEPANEL IS CENTER-TAPPED.
2. MAXIMUM TOTAL CURRENT: 1200A
3. MAXIMUM CURRENT ON EITHER SIDE OF TAP: 800A
4. FOR 400AF SUBFEED CIRCUIT BREAKERS:
 - a. MAXIMUM RATING OF ADJACENT CIRCUIT BREAKERS: 80%
 - b. FOR 100% RATING, ONE EMPTY SPACE IS REQUIRED ABOVE CIRCUIT BREAKER.

LEGEND				
(A)	CURRENT METERING POINT	(PC)	POWER QUALITY METERING POINT	
(V)	VOLTAGE METERING POINT			
		PAGE DESCRIPTION		
		ONE LINE DIAGRAM, RDP		
JOB	DRAWN	DATE 9/3/2024	DWG NO	REV
	CHK	DATE	RDPARM000035	A
	APPR	DATE	SHEET 1 OF 2	

PANEL BOARD MONITOR (PBM)



SYMBOL FOR CLOSED CONTACTS



P115
SUMMARY ALARM

SUMMARY ALARM



NO SUMMARY ALARM



NOTES:

1. TERMINAL NUMBERS REFER TO TERMINALS ON PANEL BOARD MONITOR (PBM). THE PBM IS LOCATED IN THE CONTROLS/MONITORING SECTION. REFER TO THE MECHANICAL OUTLINE DRAWING FOR EXACT LOCATION.
2. TERMINALS SUITABLE FOR AWG 20-16 STRANDED COPPER WIRE. MAXIMUM ONE WAY LENGTH FOR #16: 500 ft (152 m).
3. ALL WIRING TO BE IN ACCORDANCE WITH THE NATIONAL ELECTRIC CODE AND ALL LOCAL CODES. CONTROL AND STATUS WIRING MUST BE RUN AND IN SEPARATE CONDUIT FROM POWER WIRING.
4. SUMMARY ALARM CONTACTS ARE DRY, POTENTIAL-FREE CONTACTS. CUSTOMER REQUIREMENTS ARE AS FOLLOWS:
 - a. Open circuit voltage \leq 120 V RMS AC.
 - b. Closed circuit current \leq 1 A RMS.

			PAGE DESCRIPTION	
			ONE LINE DIAGRAM, RDP	
JOB	DRAWN	DATE 9/3/2024	DWG NO	REV
	CHK	DATE	RDPARM000035	A
	APPR	DATE	SHEET 2 OF 2	