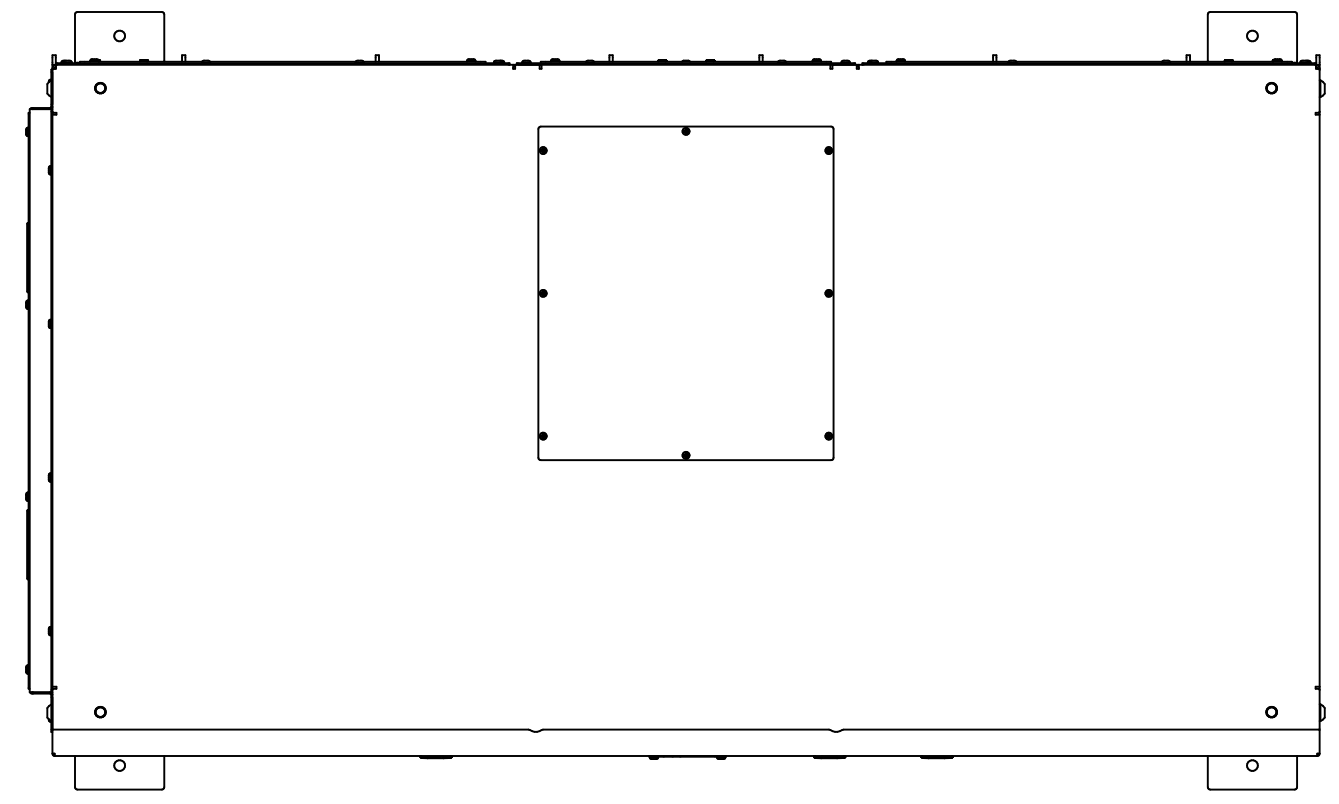


8 7 6 5 4 3 2 1

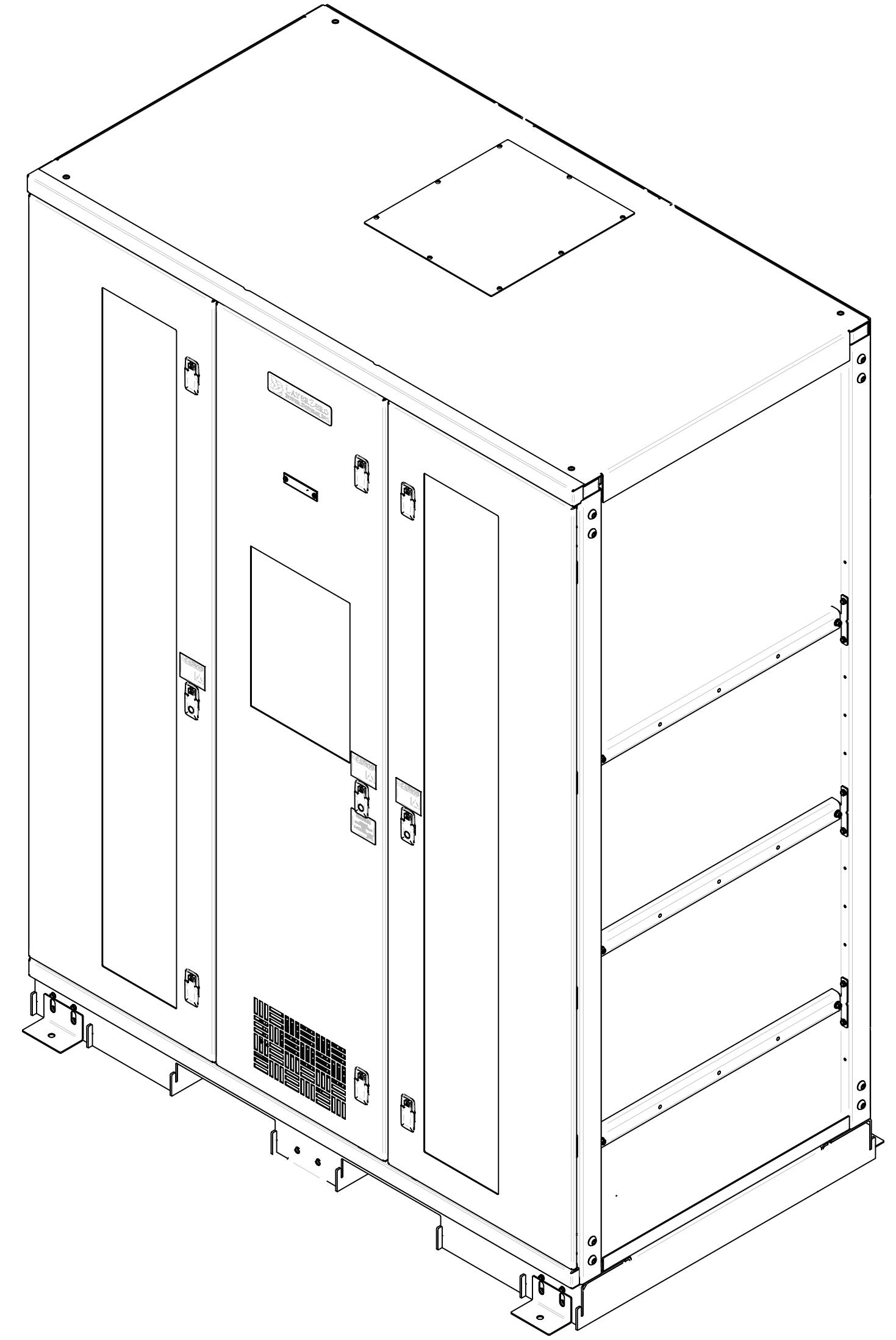
REVISIONS				
ECN	REV	DESCRIPTION	DATE	APPROVED
-	A	NEW RELEASE	12/5/2022	NEM

CLEARANCES
 FRONT: 42IN [1067]
 REAR: 6IN [152]
 LEFT/RIGHT: 0IN [0]
 TOP: 18IN [457]

 WEIGHT
 2500# [1150KG]

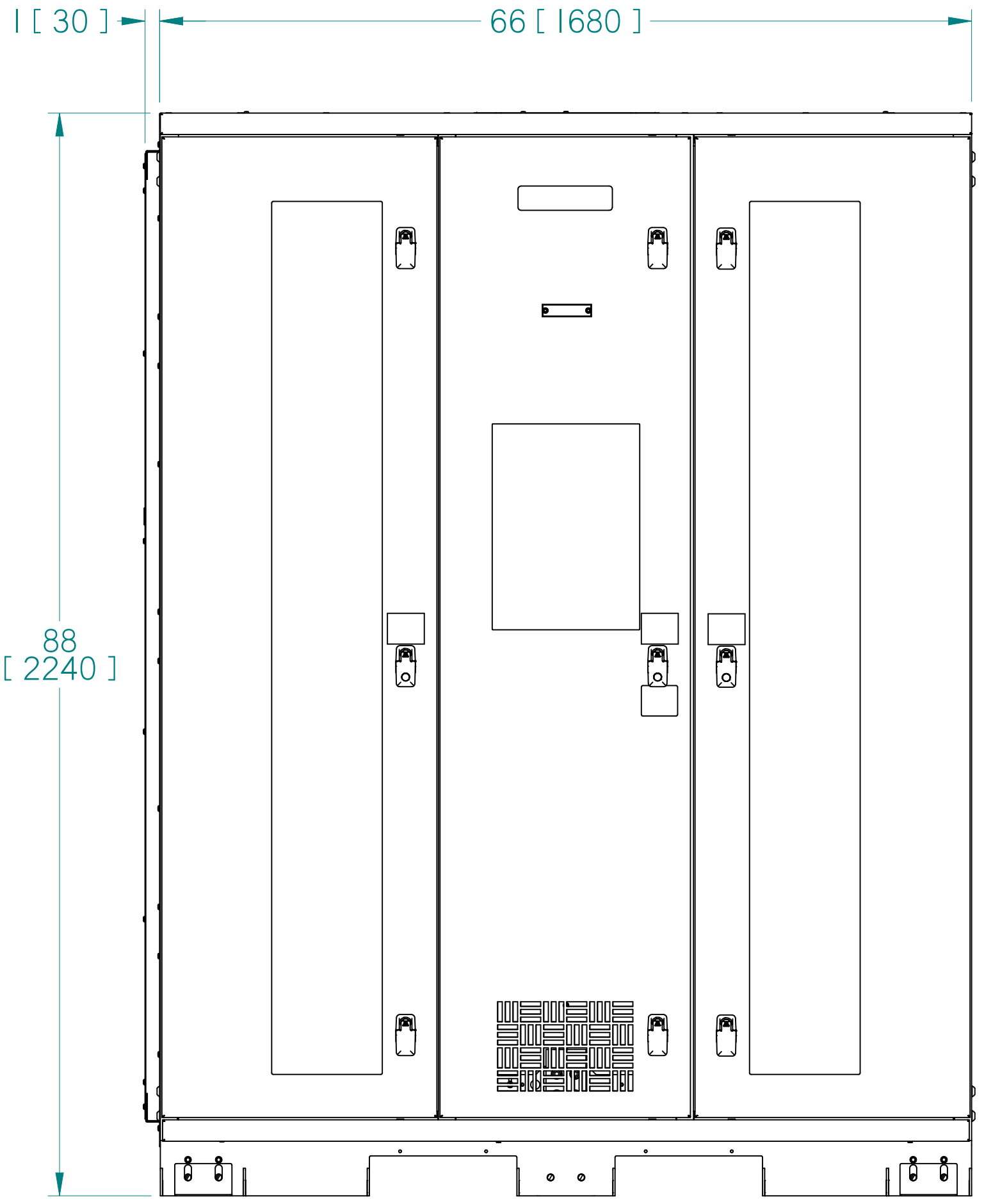


TOP VIEW

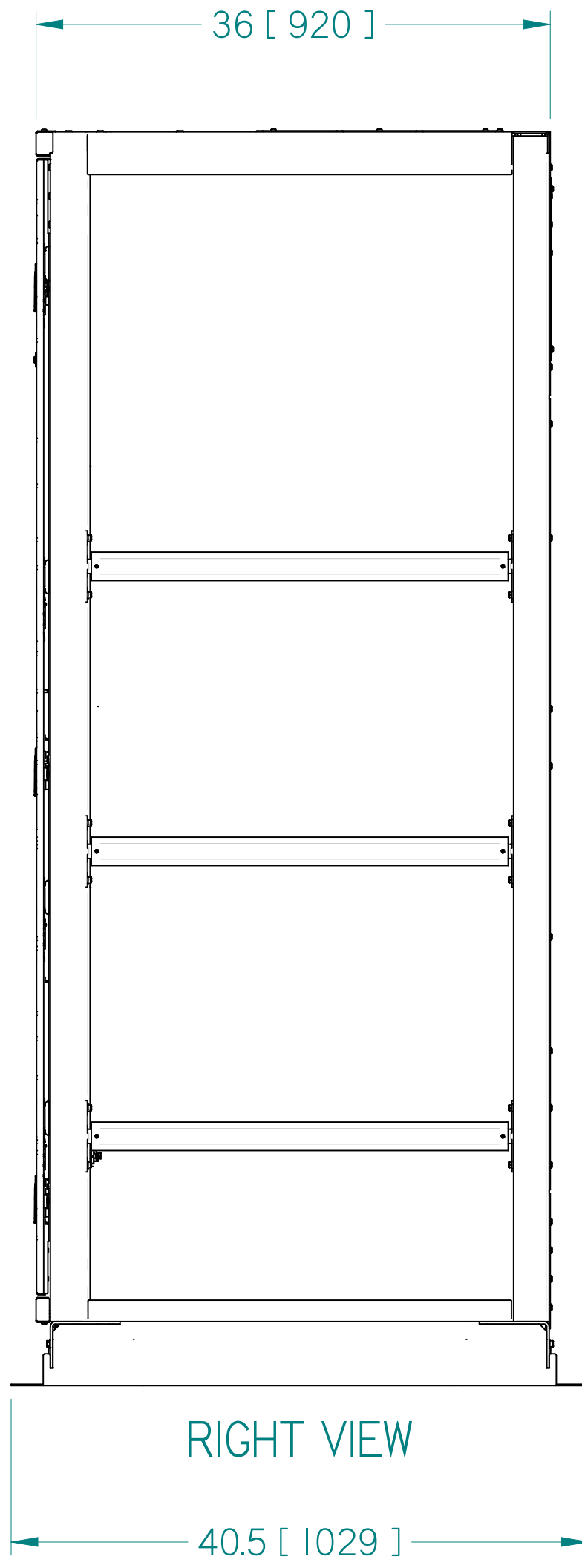


NOTES:

1. Front access only required for operation and servicing of the RDPARM Controls and Mains.
2. A Pull Box is available for input/output cable access. See Sheet 6 for details
3. Sheets 2 through 5 will show the assembly in various forms
4. See Sheet 3 for Cable Access Areas and forklift provisions details
 - Forklift provision from the front and rear of the assembly is available
5. See Sheet 4, Table I, for available configurations of the Sub-Feed Circuit Breakers:
 - Circuit Breakers are based on their maximum frame rating (AF)
 - (36) rows are available for this specific configuration
 - The SafePanel is center-tapped with a maximum total current of 600A
 - For 400A breakers, the maximum rating of adjacent circuit breakers is 80%
 - For a 100% rating, one empty space is required above the circuit breaker
 - For 600A breakers, they must be installed on the pullbox side of the RDP
6. See Sheet 5 for landing pad details
7. See Sheets 6 and 7 for Pull Box details
8. See One-Line electrical diagram for further detail



FRONT VIEW



RIGHT VIEW

Copyright © 2022, LayerZero Power Systems, Inc.

UNLESS OTHERWISE SPECIFIED
 DIMENSIONS ARE IN INCHES
 DIMENSIONS IN [] ARE IN mm
 DO NOT SCALE DRAWING

TOLERANCES:
 .XX ± .03
 .XXX ± .010
 ANGULAR ± .1/2

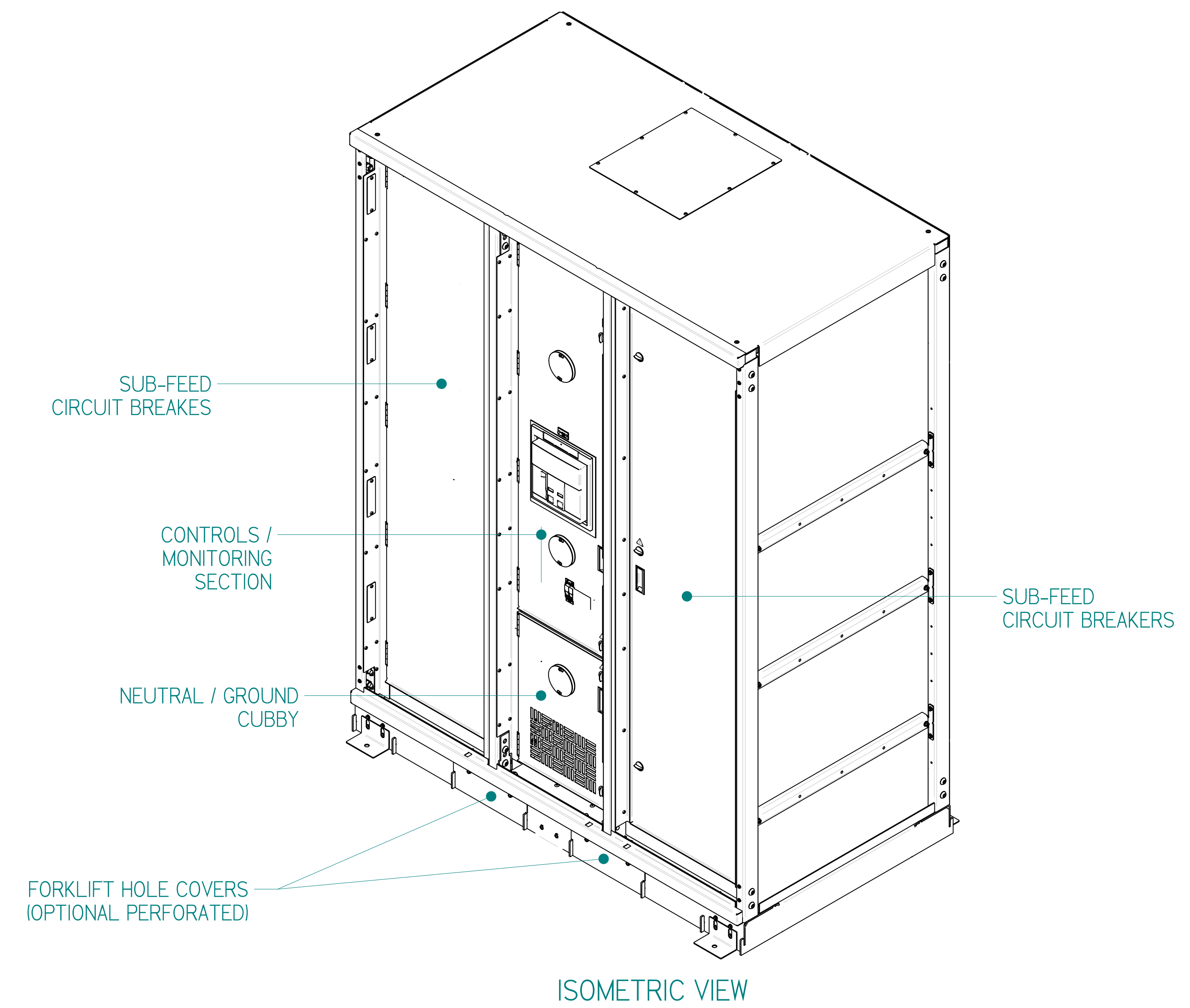
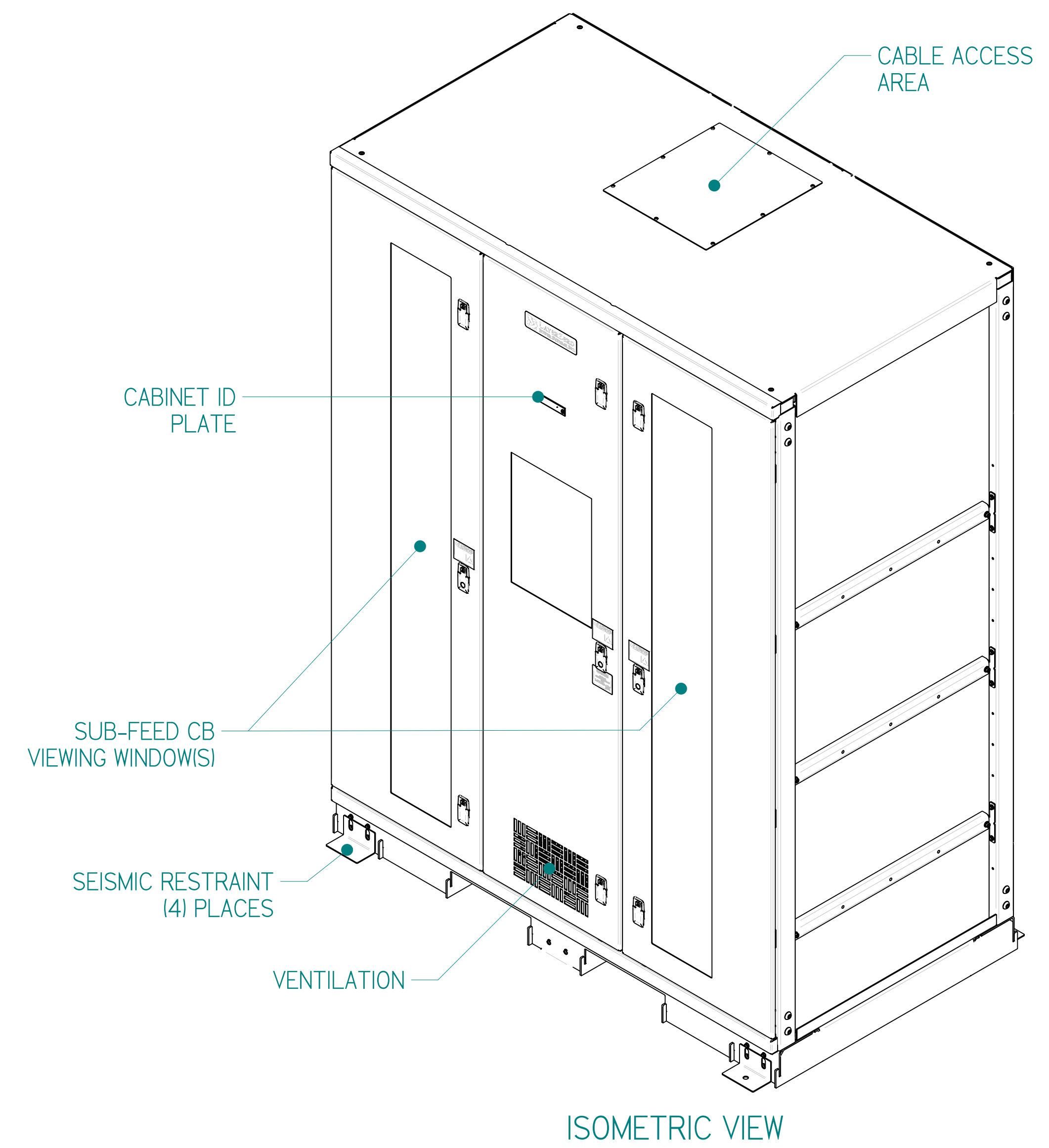
FIRST ANGLE PROJ.

OUTLINE, MOUNTING, INSTALLATION DIAGRAM
 QTY (72) ROWS FOR SUBFEED CIRCUIT BREAKERS
 QTY (2) 600A SAFE PANEL SUB-FEED DISTRIBUTION
 ERDPARM

DWN NEM	DATE 12/5/2022	SIZE D	FSCM NO.	DWG NO.	REV A
CHK JAD	DATE 12/5/2022			94-MS-01121201	
APVD NEM	DATE 12/5/2022	SCALE 1:10	94-MS-01121201+ASHTI	SHEET	1 of 7

8 7 6 5 4 3 2 1

REVISIONS				
ECN	REV	DESCRIPTION	DATE	APPROVED
-	A	NEW RELEASE	12/5/2022	NEM



Copyright © 2022, LayerZero Power Systems, Inc.

UNLESS OTHERWISE SPECIFIED
DIMENSIONS ARE IN INCHES
DIMENSIONS IN [] ARE IN mm
DO NOT SCALE DRAWING

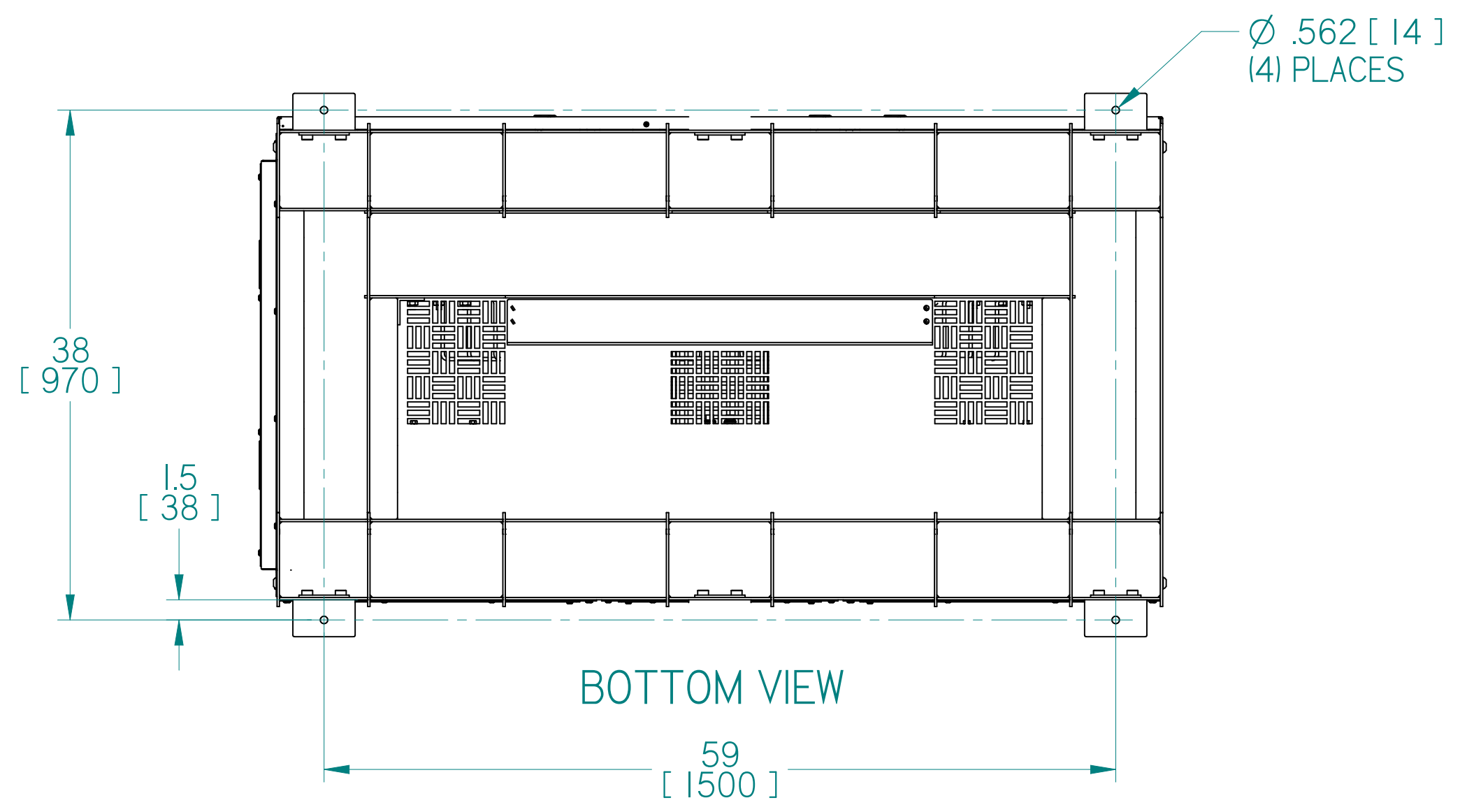
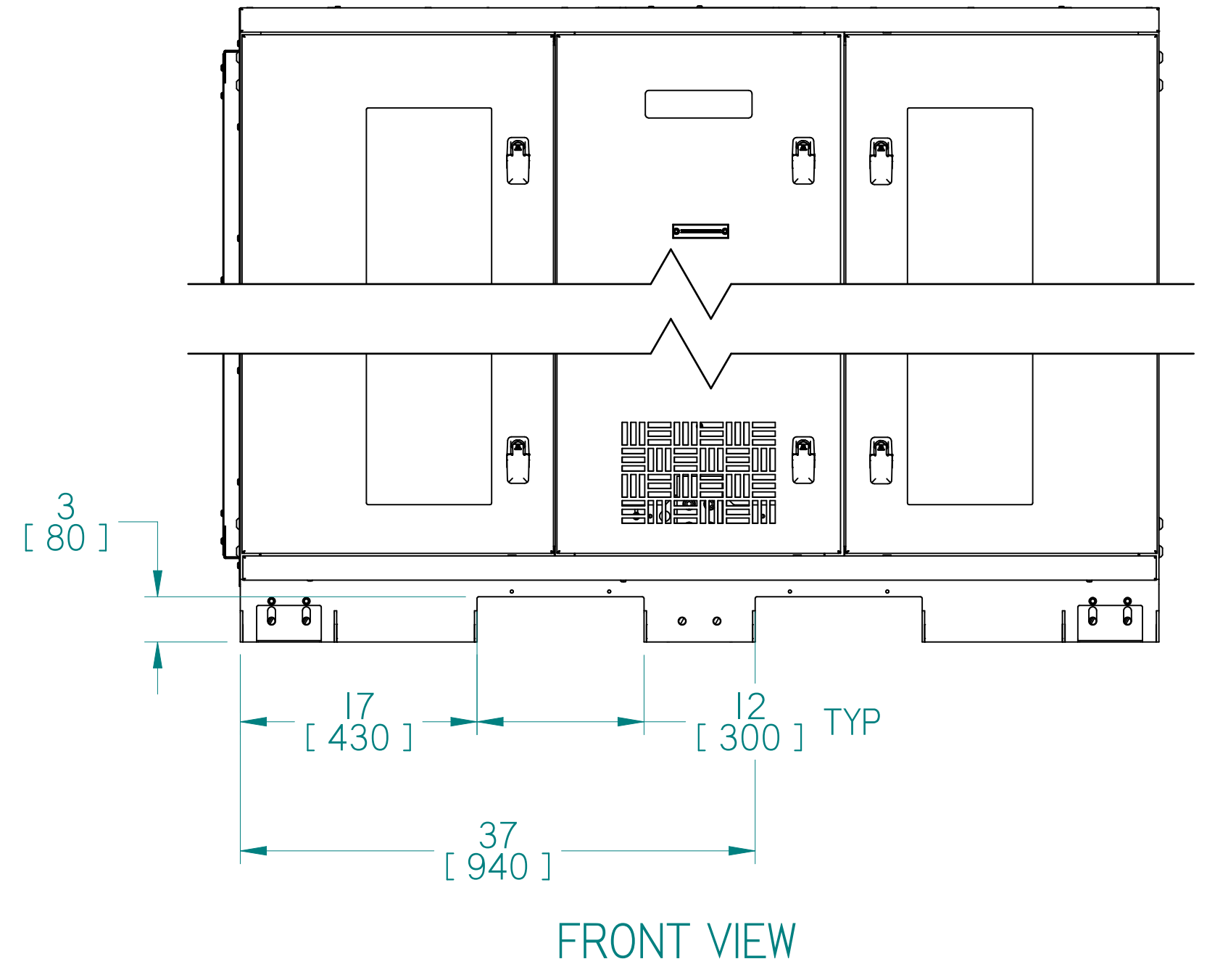
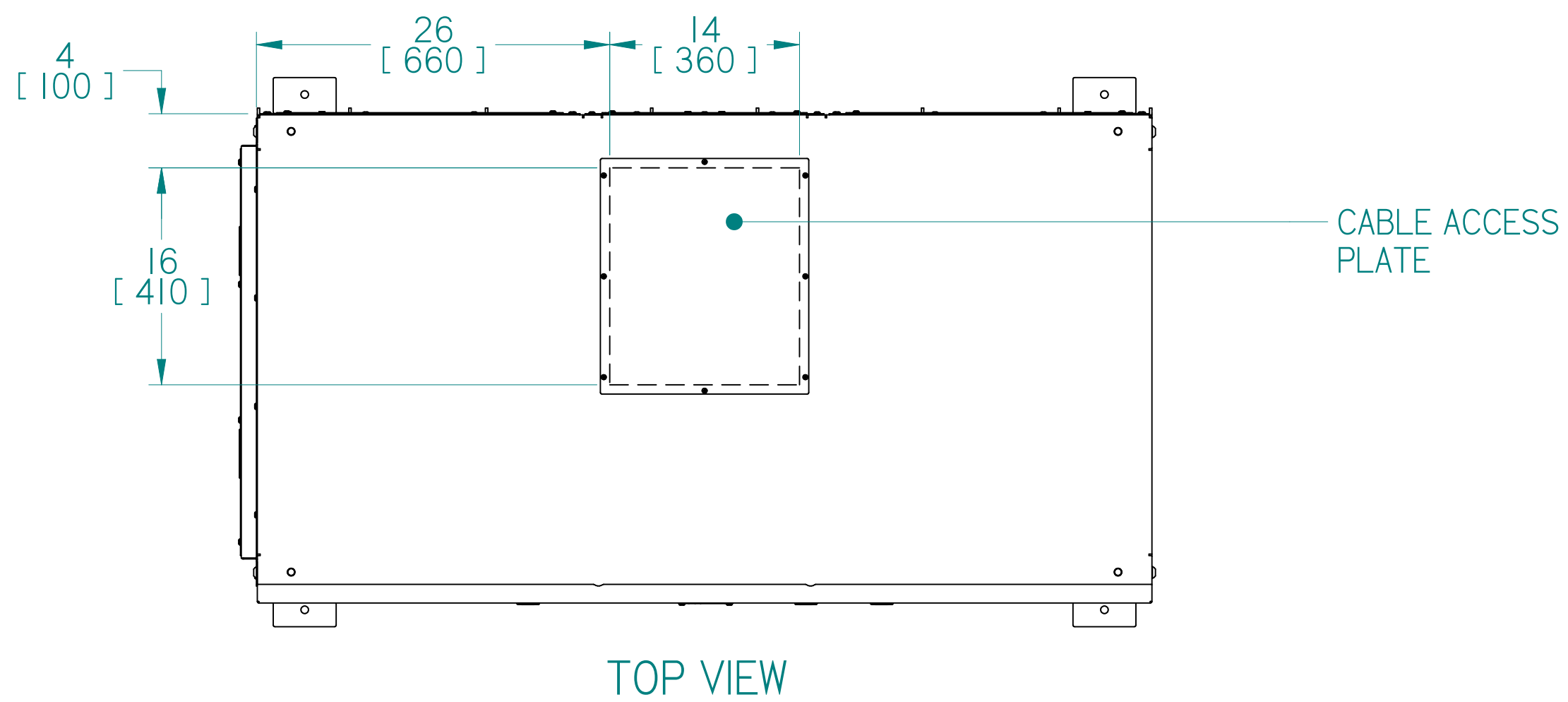
TOLERANCES:
.XX ± .03
.XXX ± .010
ANGULAR ± .1/2

FIRST ANGLE PROJ.

OUTLINE, MOUNTING, INSTALLATION DIAGRAM
QTY (72) ROWS FOR SUBFEED CIRCUIT BREAKERS
QTY (2) 600A SAFEPANEL SUB-FEED DISTRIBUTION
ERDPARM

DWN NEM	DATE 12/5/2022	SIZE D	FSCM NO.	DWG NO.	REV A
CHK JAD	DATE 12/5/2022			94-MS-01121201	
APVD NEM	DATE 12/5/2022	SCALE 1:10	94-MS-01121201-ASHT2	SHEET	2 of 7

REVISIONS				
ECN	REV	DESCRIPTION	DATE	APPROVED
-	A	NEW RELEASE	12/5/2022	NEM



Copyright © 2022, LayerZero Power Systems, Inc.

UNLESS OTHERWISE SPECIFIED
DIMENSIONS ARE IN INCHES
DIMENSIONS IN [] ARE IN mm
DO NOT SCALE DRAWING

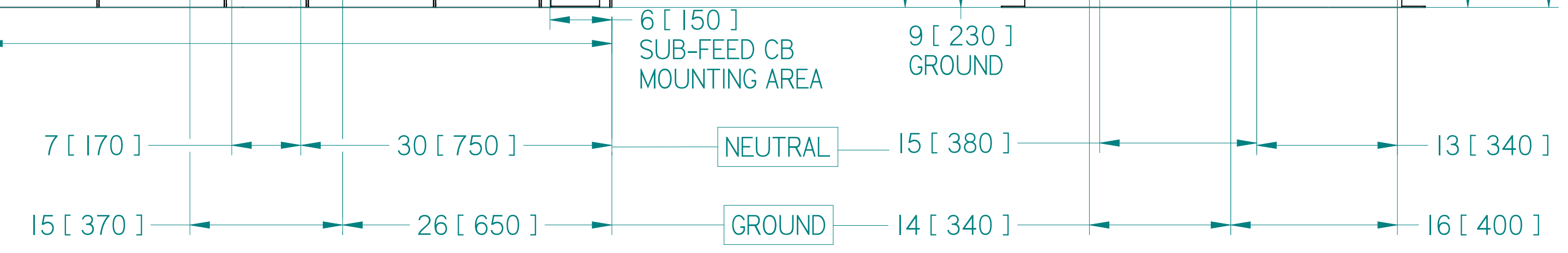
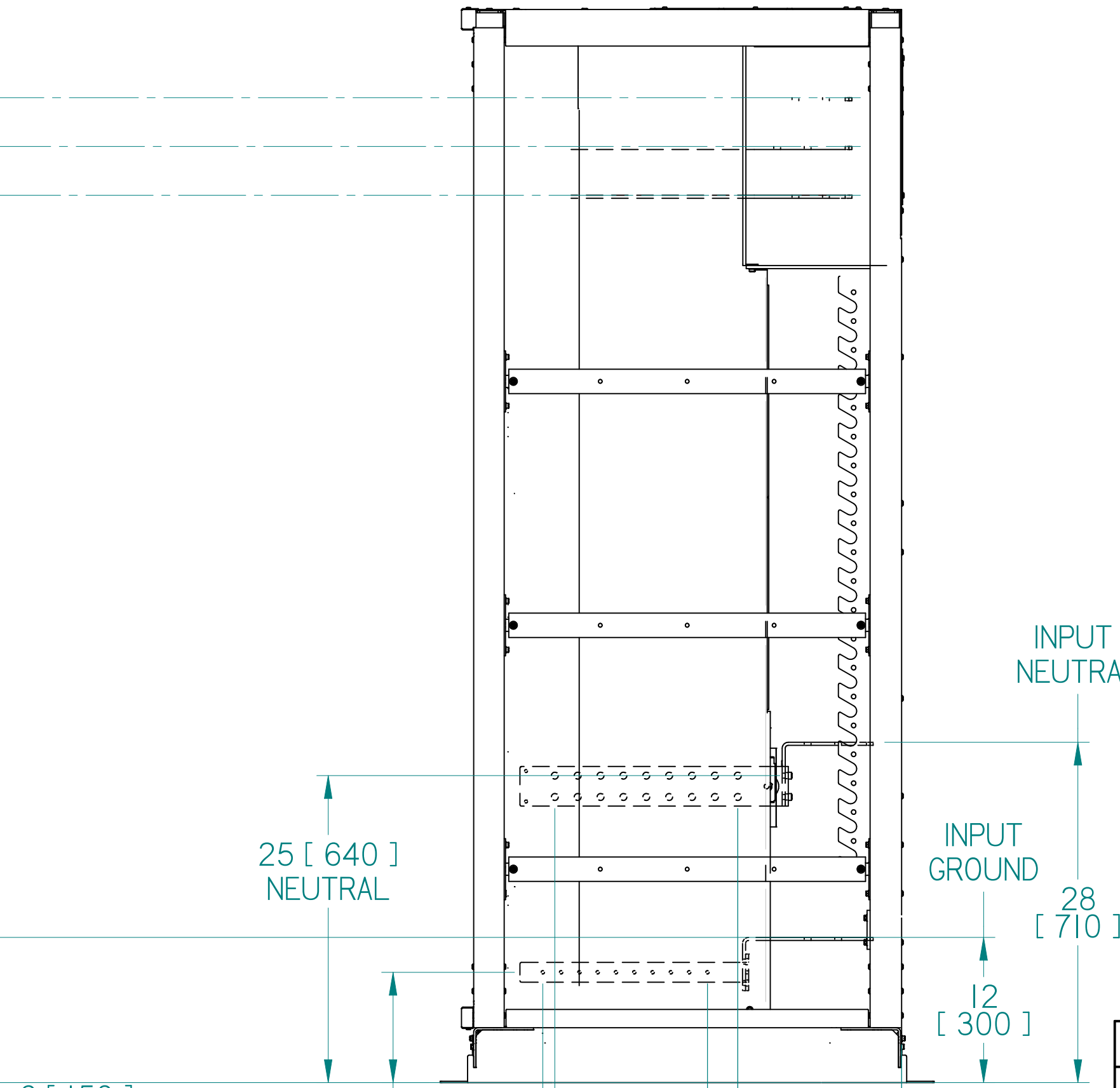
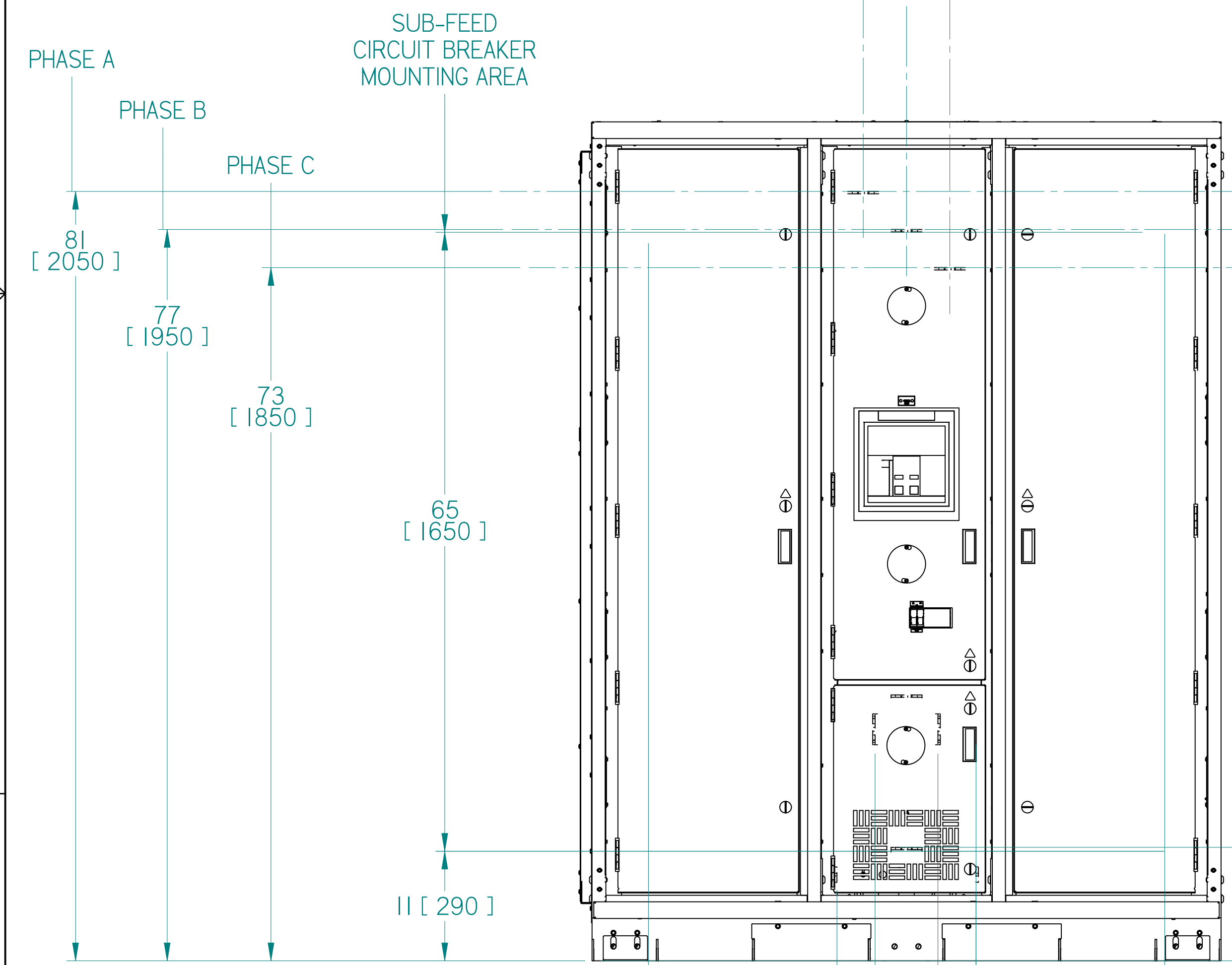
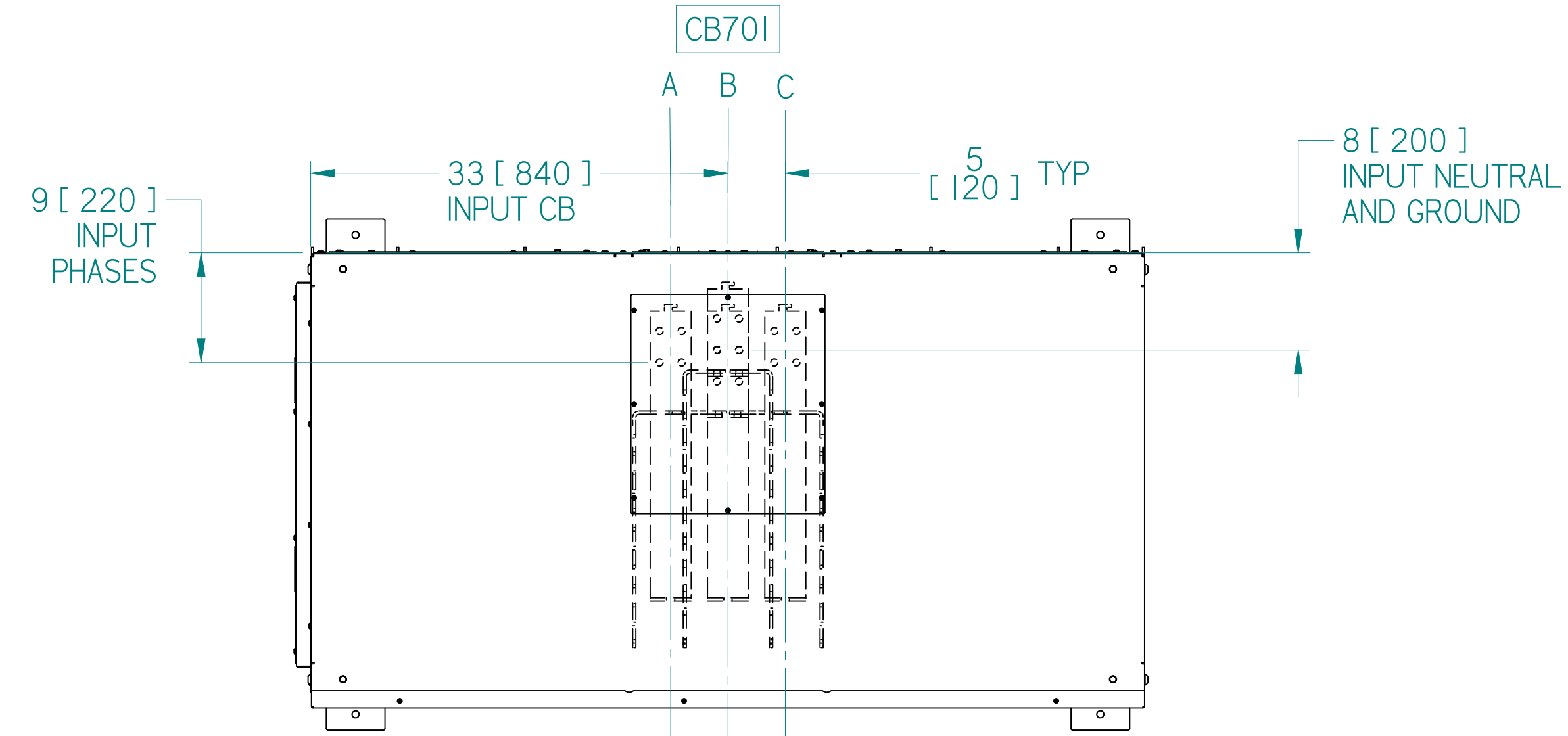
TOLERANCES:
.XX ± .03
.XXX ± .010
ANGULAR ± .1/2

FIRST ANGLE PROJ.

OUTLINE, MOUNTING, INSTALLATION DIAGRAM
QTY (72) ROWS FOR SUBFEED CIRCUIT BREAKERS
QTY (2) 600A SAFEPANEL SUB-FEED DISTRIBUTION
ERDPARM

DWN NEM	DATE 12/5/2022	SIZE D	FSCM NO.	DWG NO. 94-MS-01121201	REV A
CHK JAD	DATE 12/5/2022	SCALE 1:10	94-MS-01121201-ASHT3	SHEET 3 of 7	

REVISIONS				
ECN	REV	DESCRIPTION	DATE	APPROVED
-	A	NEW RELEASE	12/5/2022	NEM



FRONT VIEW

RIGHT VIEW

Frame Size (AF)	Percent Ratings (%)	Rows	Cover Plate(s)
125A XT	80, 100	2	QTY1 42-01-40405534
250A XT	80, 100	3	QTY1 42-01-40405535
400A	80	3	QTY1 42-01-40405506
400A	100	6	QTY1 42-01-40405506 + QTY1 42-01-40405523
800A	80, 100	6	QTY1 42-01-40405507
BLANK -1ROW	N/A	1	QTY1 42-01-40405501
BLANK -2ROWS	N/A	2	QTY1 42-01-40405502
BLANK -3ROWS	N/A	3	QTY1 42-01-40405503

Copyright © 2022, LayerZero Power Systems, Inc.

UNLESS OTHERWISE SPECIFIED DIMENSIONS ARE IN INCHES DIMENSIONS IN [] ARE IN mm DO NOT SCALE DRAWING

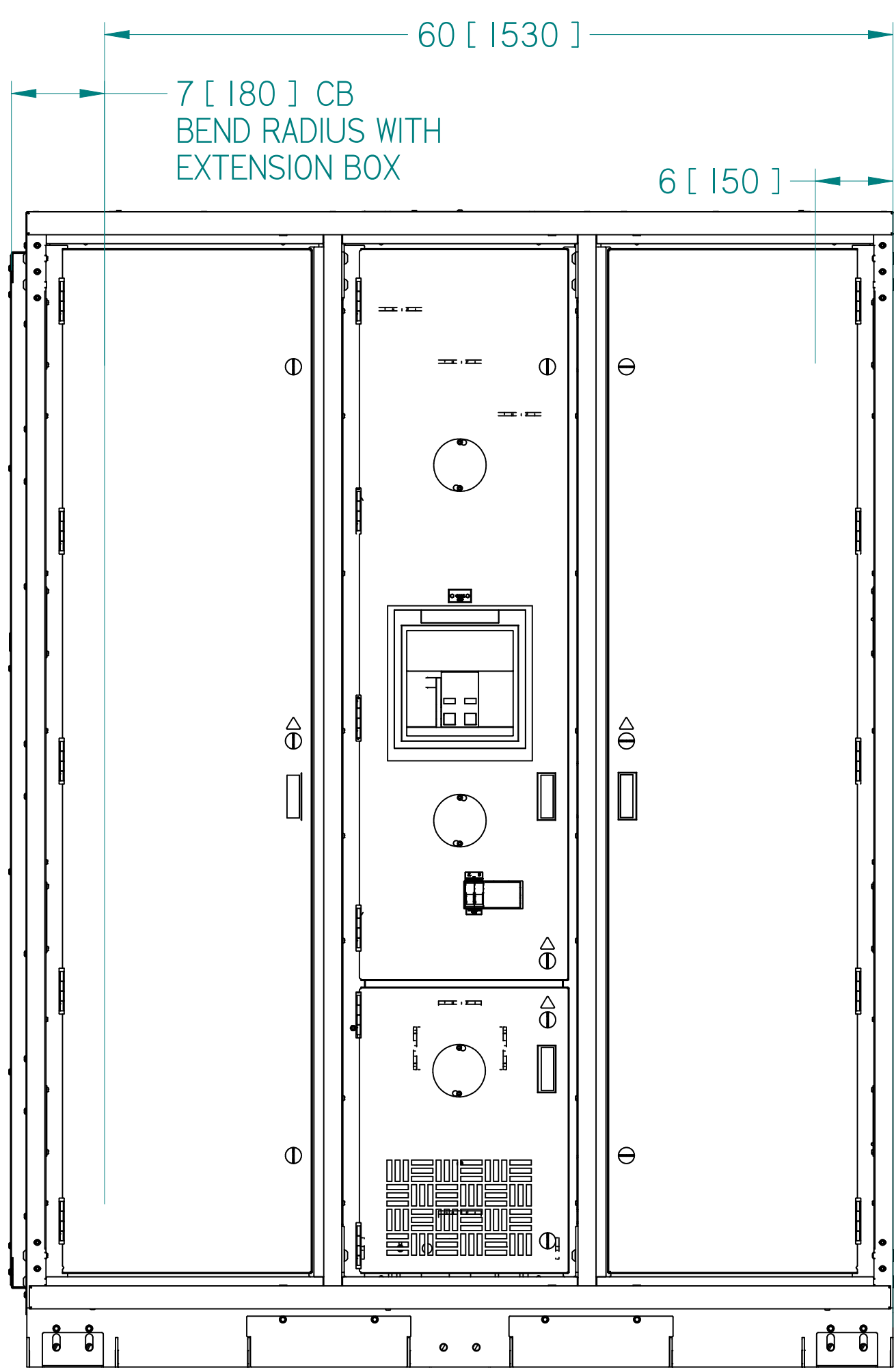
TOLERANCES:
.XX ± .03
.XXX ± .010
ANGULAR ± .1/2

FIRST ANGLE PROJ.

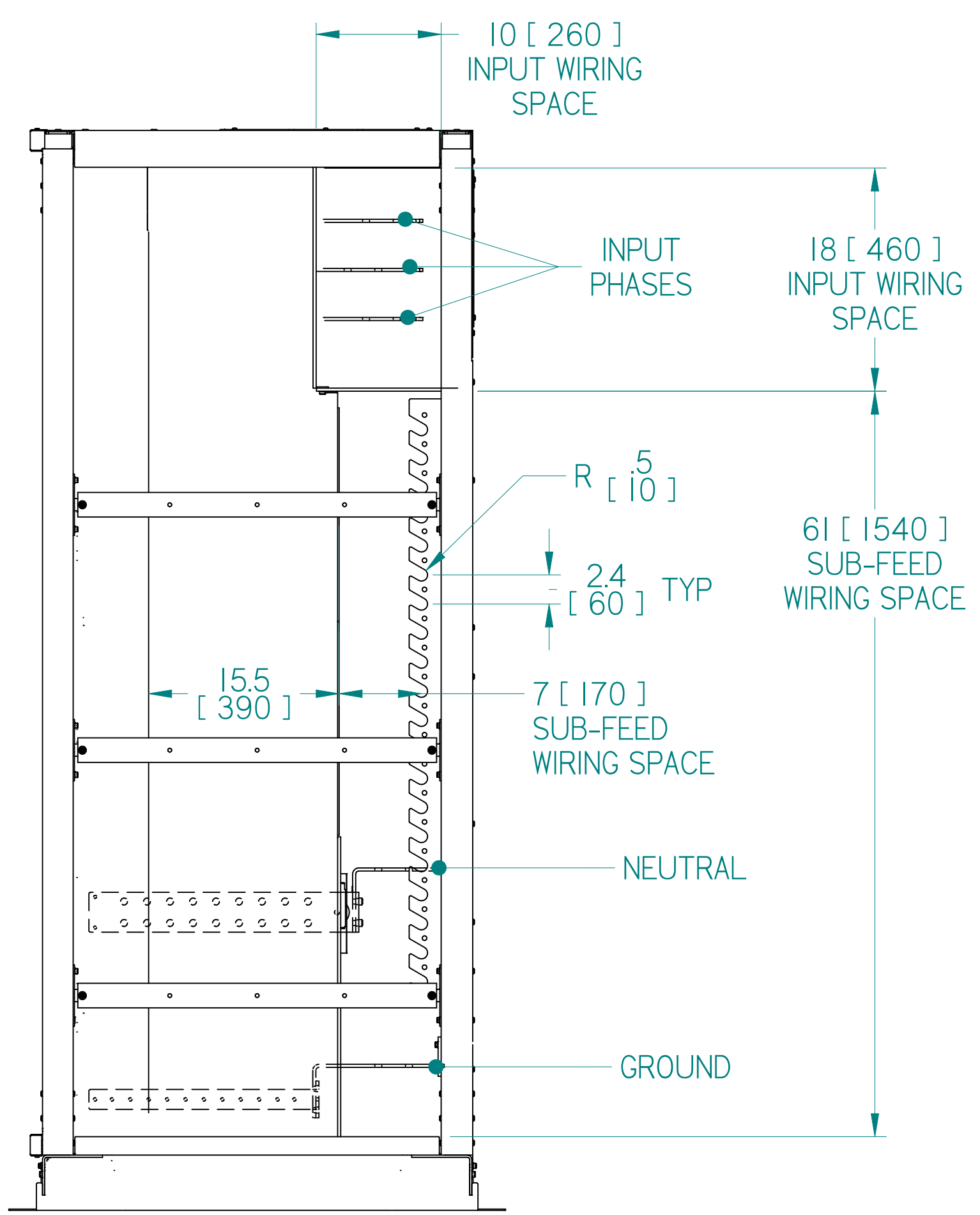
OUTLINE, MOUNTING, INSTALLATION DIAGRAM
QTY (72) ROWS FOR SUBFEED CIRCUIT BREAKERS
QTY (2) 600A SAFEPANEL SUB-FEED DISTRIBUTION
ERDPARM

DWN NEM	DATE 12/5/2022	SIZE D	FSCM NO.	DWG NO. 94-MS-01121201	REV A
CHK JAD	DATE 12/5/2022	SCALE 1:10	94-MS-01121201-ASHT4	SHEET 4 of 7	
APVD NEM	DATE 12/5/2022				

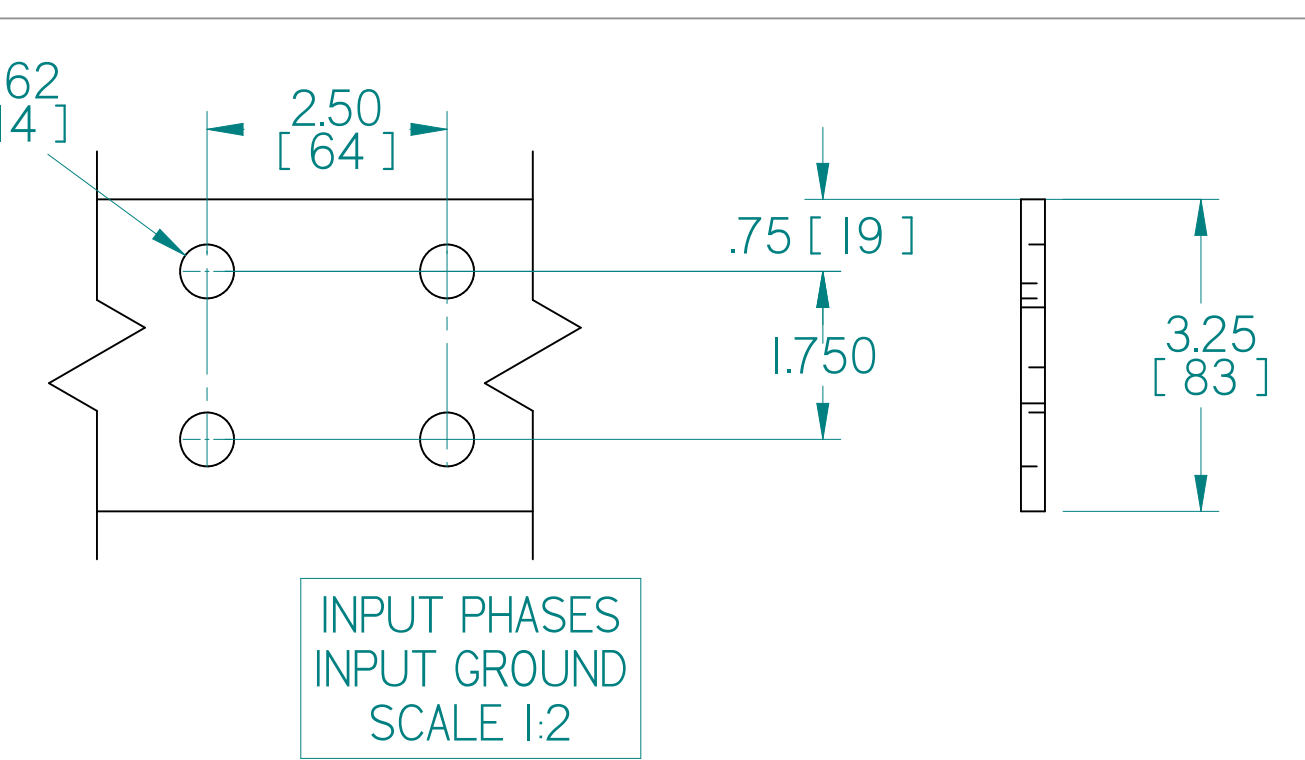
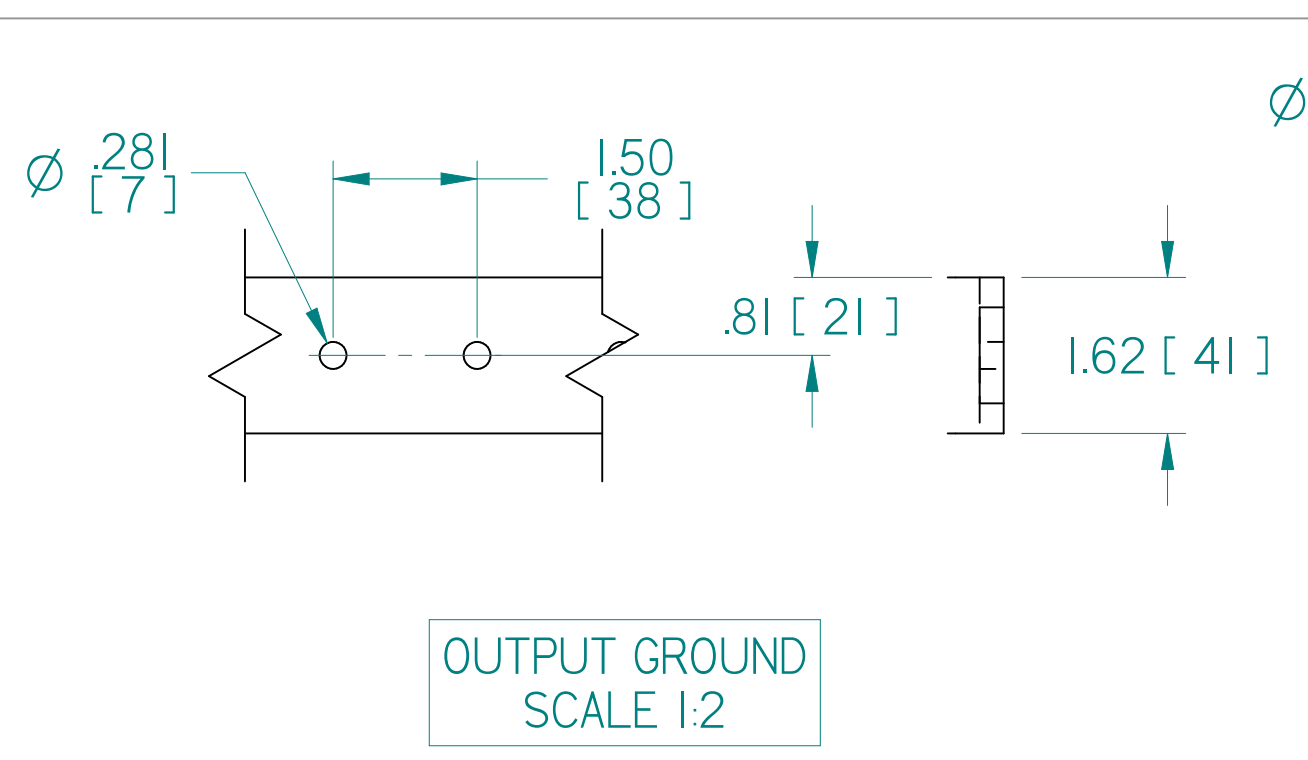
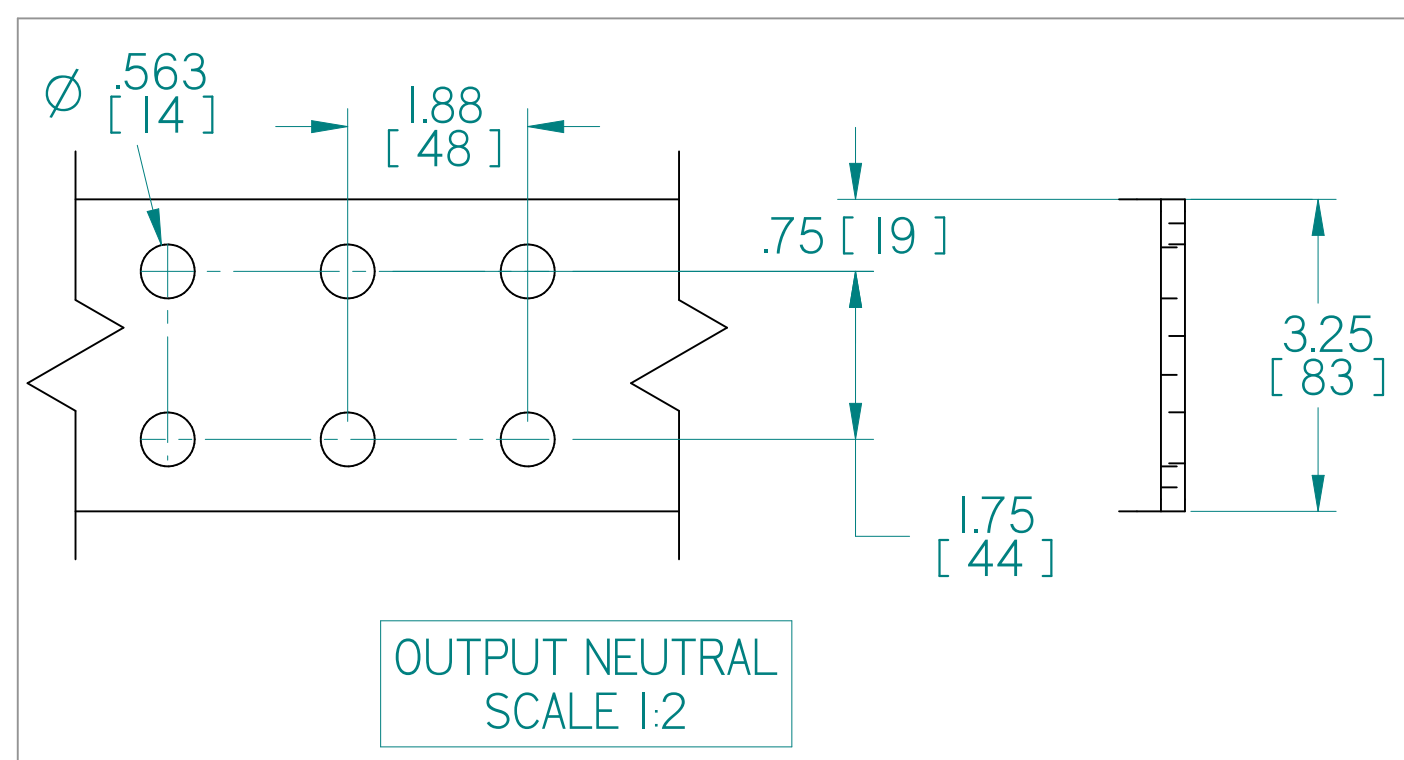
REVISIONS				
ECN	REV	DESCRIPTION	DATE	APPROVED
-	A	NEW RELEASE	12/5/2022	NEM



FRONT VIEW



RIGHT VIEW



Copyright © 2022, LayerZero Power Systems, Inc.

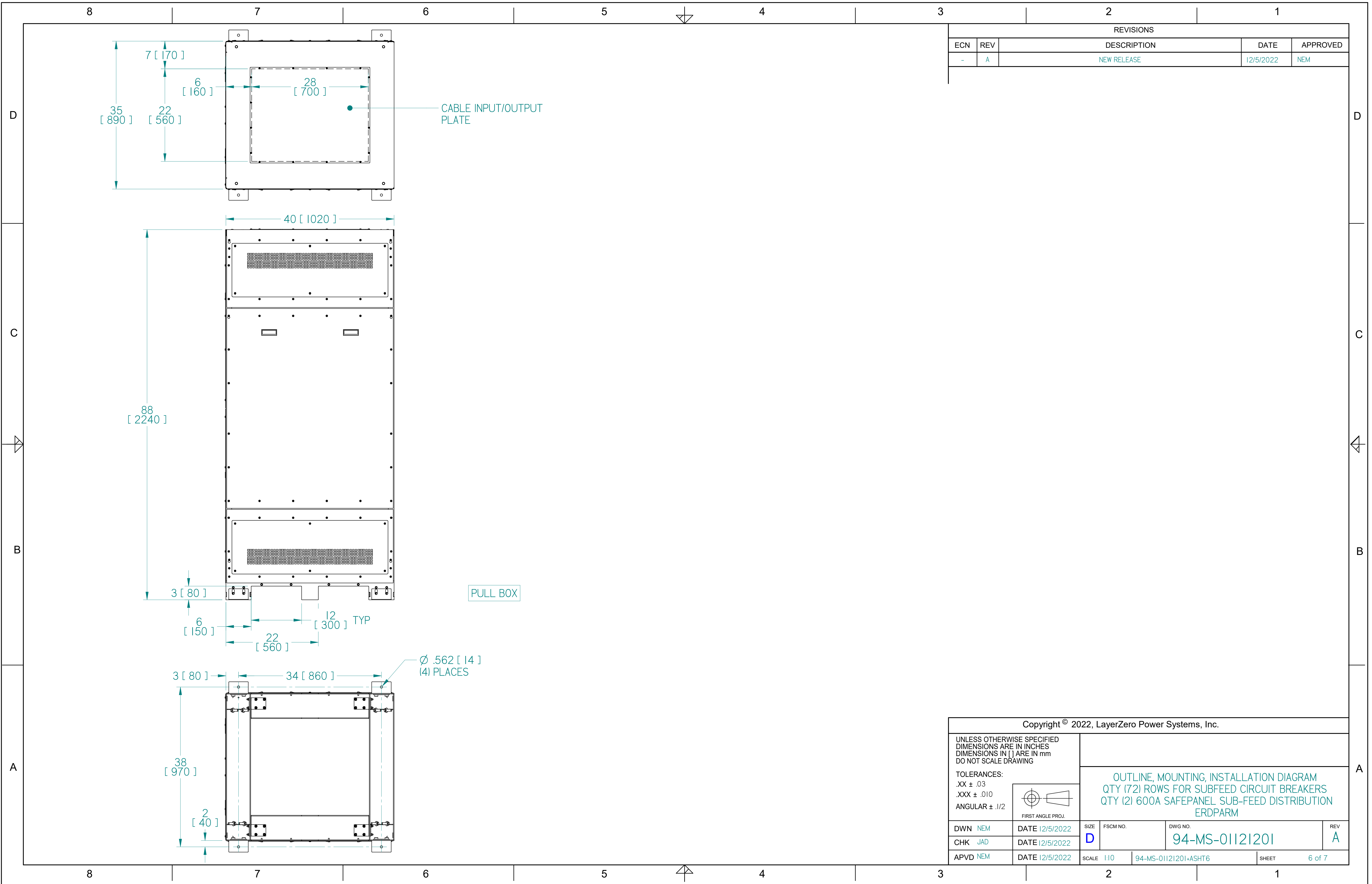
UNLESS OTHERWISE SPECIFIED
DIMENSIONS ARE IN INCHES
DIMENSIONS IN [] ARE IN mm
DO NOT SCALE DRAWING

TOLERANCES:
.XX ± .03
.XXX ± .010
ANGULAR ± .1/2

FIRST ANGLE PROJ.

OUTLINE, MOUNTING, INSTALLATION DIAGRAM
QTY (72) ROWS FOR SUBFEED CIRCUIT BREAKERS
QTY (2) 600A SAFEPANEL SUB-FEED DISTRIBUTION
ERDPARM

DWN NEM	DATE 12/5/2022	SIZE D	FSCM NO.	DWG NO.	REV A
CHK JAD	DATE 12/5/2022	94-MS-01121201			
APVD NEM	DATE 12/5/2022	SCALE 1:10	94-MS-01121201-ASHT5	SHEET	5 of 7



REVISIONS				
ECN	REV	DESCRIPTION	DATE	APPROVED
-	A	NEW RELEASE	12/5/2022	NEM

Copyright © 2022, LayerZero Power Systems, Inc.

UNLESS OTHERWISE SPECIFIED
DIMENSIONS ARE IN INCHES
DIMENSIONS IN [] ARE IN mm
DO NOT SCALE DRAWING

TOLERANCES:
.XX ± .03
.XXX ± .010
ANGULAR ± .1/2

FIRST ANGLE PROJ.

OUTLINE, MOUNTING, INSTALLATION DIAGRAM
QTY (72) ROWS FOR SUBFEED CIRCUIT BREAKERS
QTY (2) 600A SAFEPANEL SUB-FEED DISTRIBUTION
ERDPARM

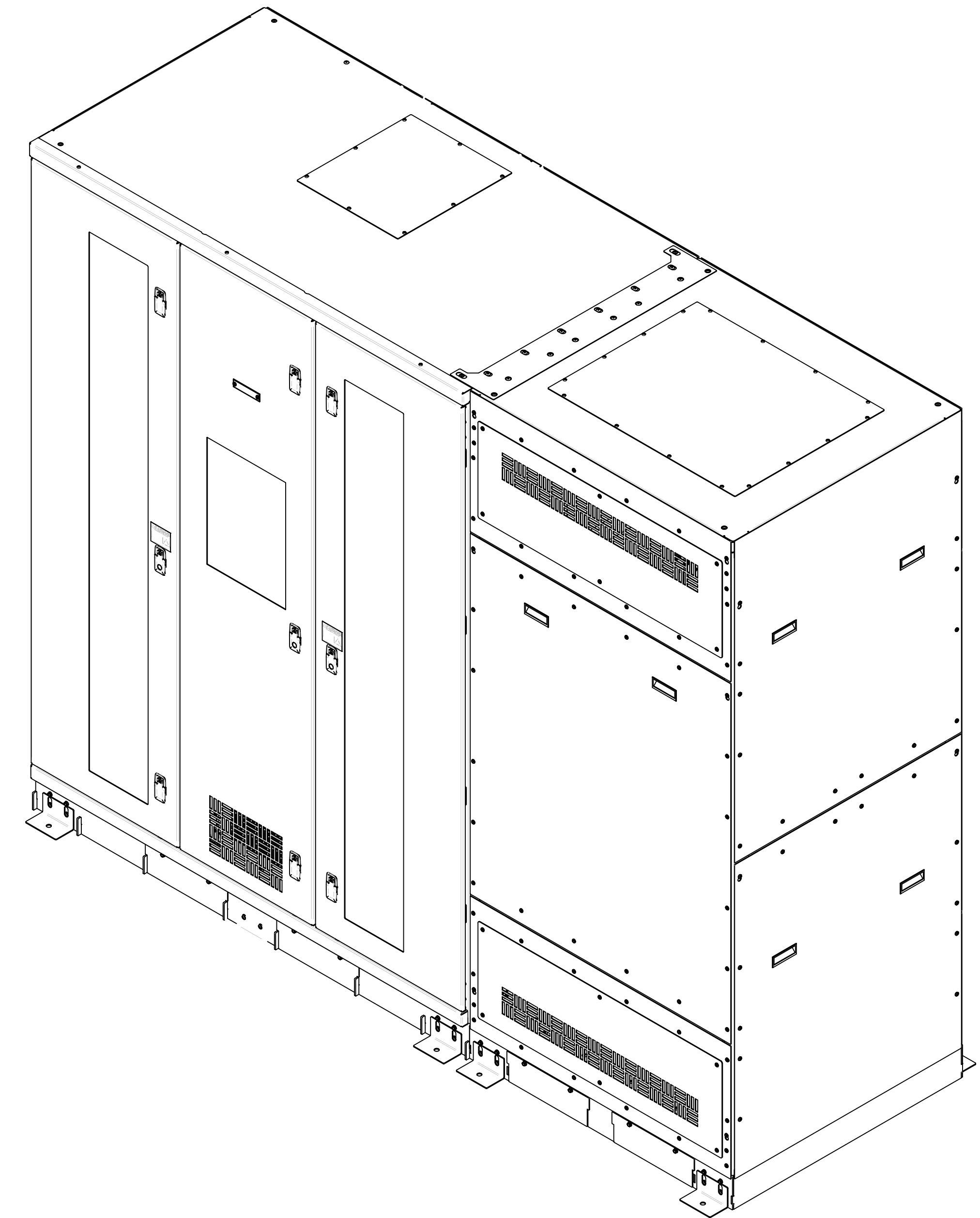
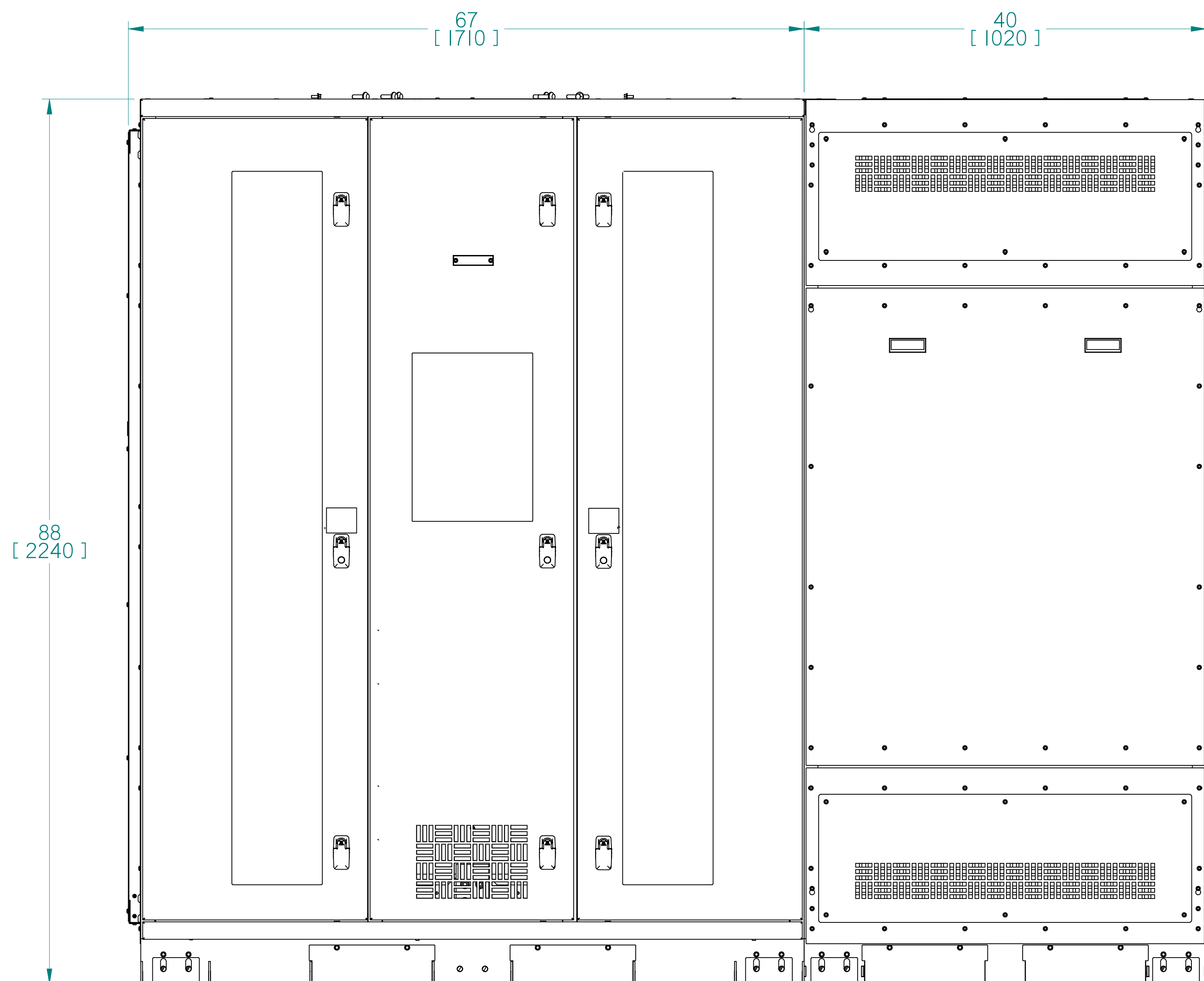
DWN NEM	DATE 12/5/2022	SIZE D	FSCM NO.	DWG NO. 94-MS-01121201	REV A
CHK JAD	DATE 12/5/2022	SCALE 1:10	94-MS-01121201+ASHT6	SHEET 6 of 7	

8 7 6 5 4 3 2 1

REVISIONS				
ECN	REV	DESCRIPTION	DATE	APPROVED
-	A	NEW RELEASE	12/5/2022	NEM

D
C
B
A

D
C
B
A



NOTES:
I. Pullbox can be mounted to either side of the RDPARM cabinet

8 7 6 5 4 3 2 1

Copyright © 2022, LayerZero Power Systems, Inc.

UNLESS OTHERWISE SPECIFIED
DIMENSIONS ARE IN INCHES
DIMENSIONS IN [] ARE IN mm
DO NOT SCALE DRAWING

TOLERANCES:
.XX ± .03
.XXX ± .010
ANGULAR ± .1/2

FIRST ANGLE PROJ.

OUTLINE, MOUNTING, INSTALLATION DIAGRAM
QTY (72) ROWS FOR SUBFEED CIRCUIT BREAKERS
QTY (2) 600A SAFEPANEL SUB-FEED DISTRIBUTION
ERDPARM

DWN NEM	DATE 12/5/2022	SIZE D	FSCM NO.	DWG NO. 94-MS-01121201	REV A
CHK JAD	DATE 12/5/2022	SCALE 1:8	94-MS-01121201-ASHT7	SHEET 7 of 7	
APVD NEM	DATE 12/5/2022				