

CLEARANCES
 FRONT: 42IN [1067]
 REAR: 6IN [152]
 LEFT/RIGHT: 0IN [0]
 TOP: 18IN [457]

WEIGHT
 2500# [1150KG]

REVISIONS				
ECN	REV	DESCRIPTION	DATE	APPROVED
-	A	NEW RELEASE	2/12/2024	DRT

- NOTES:
- Front access only required for operation and servicing of the RDPARM Controls and Mains.
 - A Pull Box is available for input/output cable access. See Sheet 6 for details
 - Sheets 2 through 5 will show the assembly in various forms
 - See Sheet 3 for Cable Access Areas and forklift provisions details
 - Forklift provision from the front and rear of the assembly is available
 - See Sheet 4, Table I, for available configurations of the Sub-Feed Circuit Breakers:
 - Circuit Breakers are based on their maximum frame rating (AF)
 - 136 rows are available for this specific configuration
 - The SafePanel is center-tapped with a maximum total current of 1600A
 - The maximum current on either side of the tap is 800A
 - For 400A breakers, the maximum rating of adjacent circuit breakers is 80%
 - For a 100% rating, one empty space is required above the circuit breaker
 - For 600A breakers or greater, they must be installed on the pullbox side of the RDP
 - See Sheet 5 for landing pad details
 - See Sheets 6 and 7 for Pull Box details
 - See One-Line electrical diagram for further detail

Copyright © 2024, LayerZero Power Systems, Inc.

UNLESS OTHERWISE SPECIFIED
 DIMENSIONS ARE IN INCHES
 DIMENSIONS IN [] ARE IN mm
 DO NOT SCALE DRAWING

TOLERANCES:
 .XX ± .03
 .XXX ± .010
 ANGULAR ± .1/2

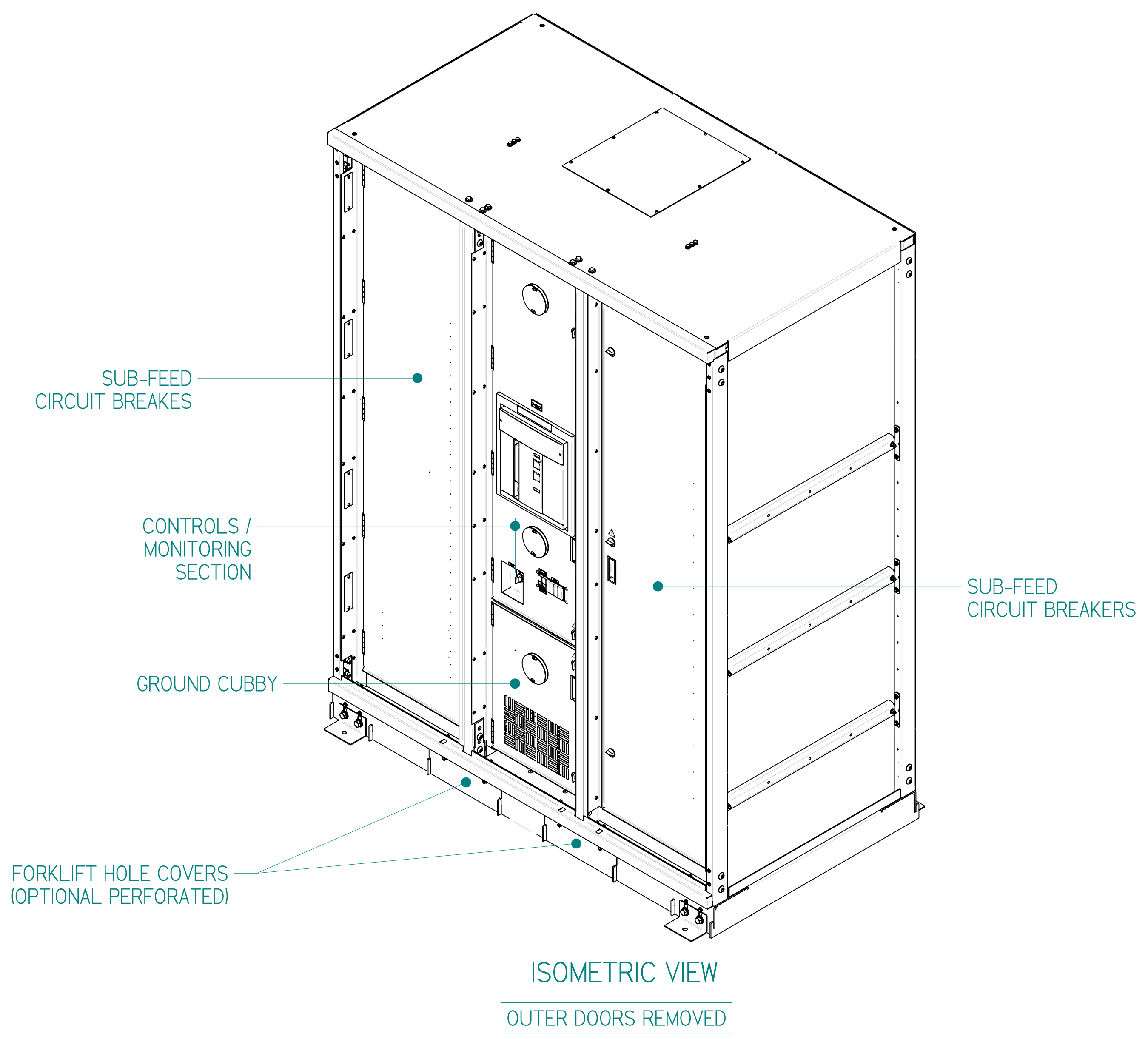
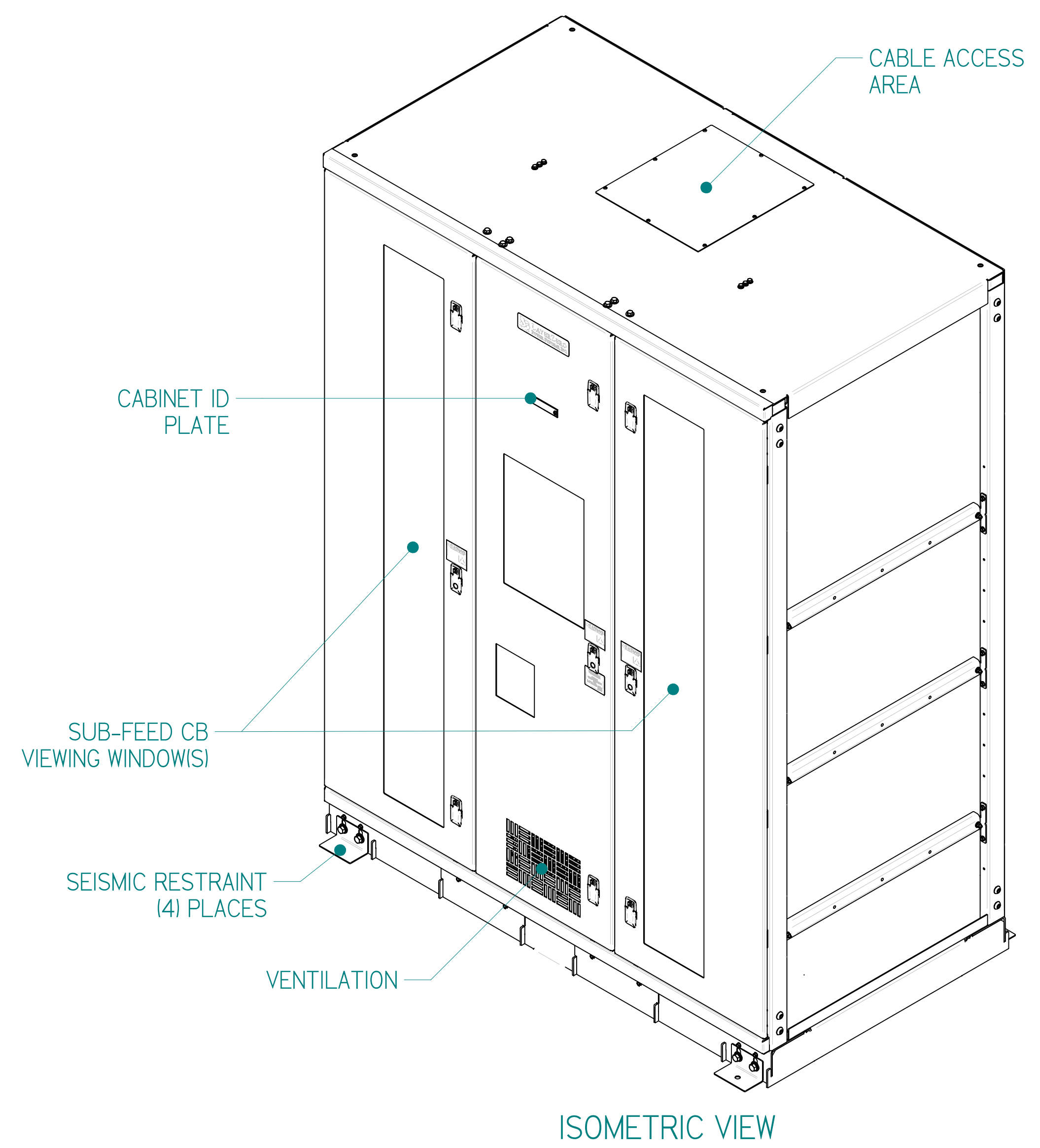
FIRST ANGLE PROJ.

LAYERZERO
 POWER SYSTEMS, INC.

OUTLINE, MOUNTING, INSTALLATION DIAGRAM
 QTY (72) ROWS FOR SUBFEED CIRCUIT BREAKERS
 QTY (2) 1600A SAFEANEL SUB-FEED DISTRIBUTION
 ERDPARM

DWN DRT	DATE 2/12/2024	SIZE	FSCM NO.	DWG NO.	REV
CHK NEM	DATE 2/12/2024	D		94-MS-01128001	A
APVD DRT	DATE 2/12/2024	SCALE 1:10	94-MS-0112801-ASHTI	SHEET	1 of 10

REVISIONS				
ECN	REV	DESCRIPTION	DATE	APPROVED
-	A	NEW RELEASE	2/12/2024	DRT



Copyright © 2024, LayerZero Power Systems, Inc.

UNLESS OTHERWISE SPECIFIED
DIMENSIONS ARE IN INCHES
DIMENSIONS IN [] ARE IN mm
DO NOT SCALE DRAWING

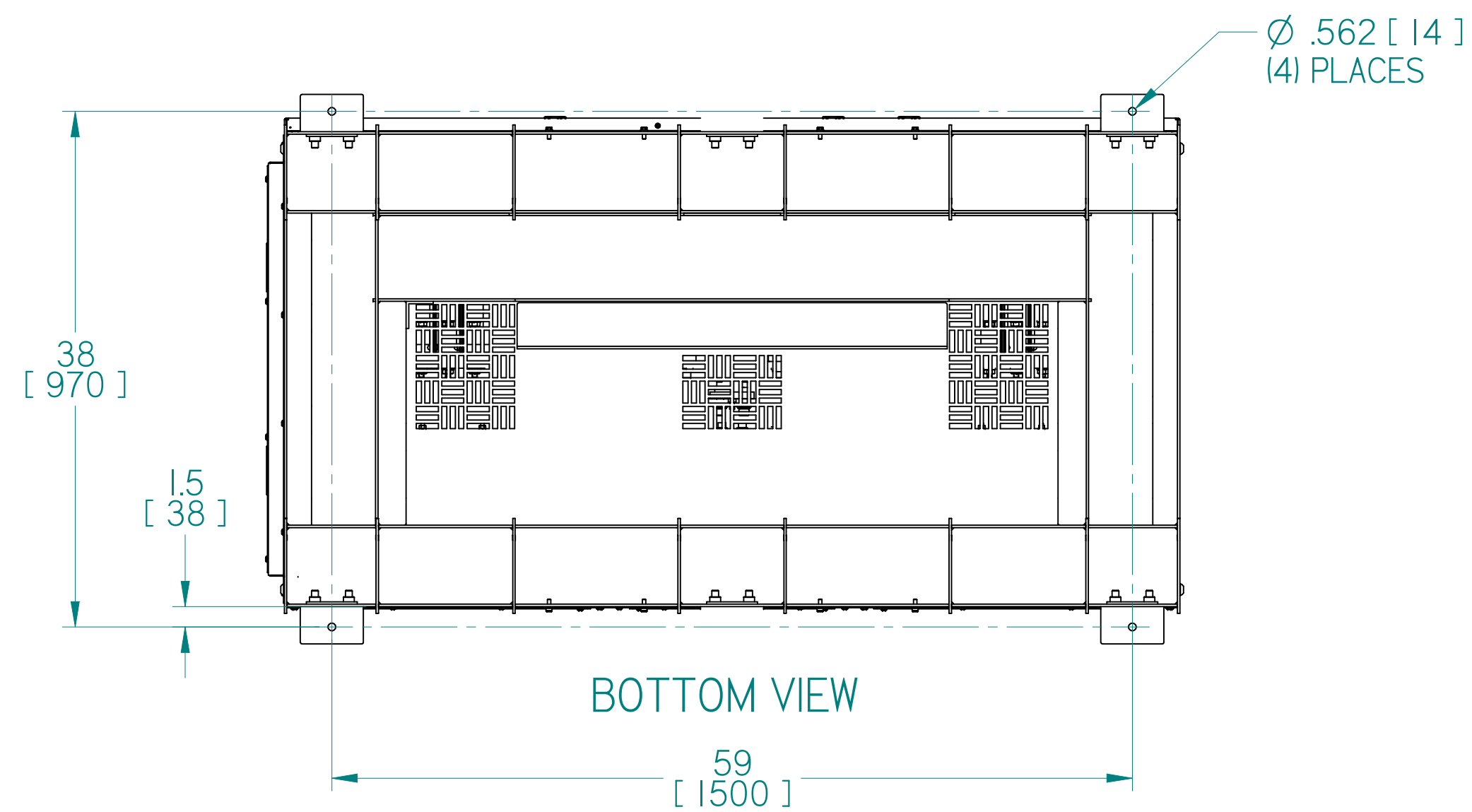
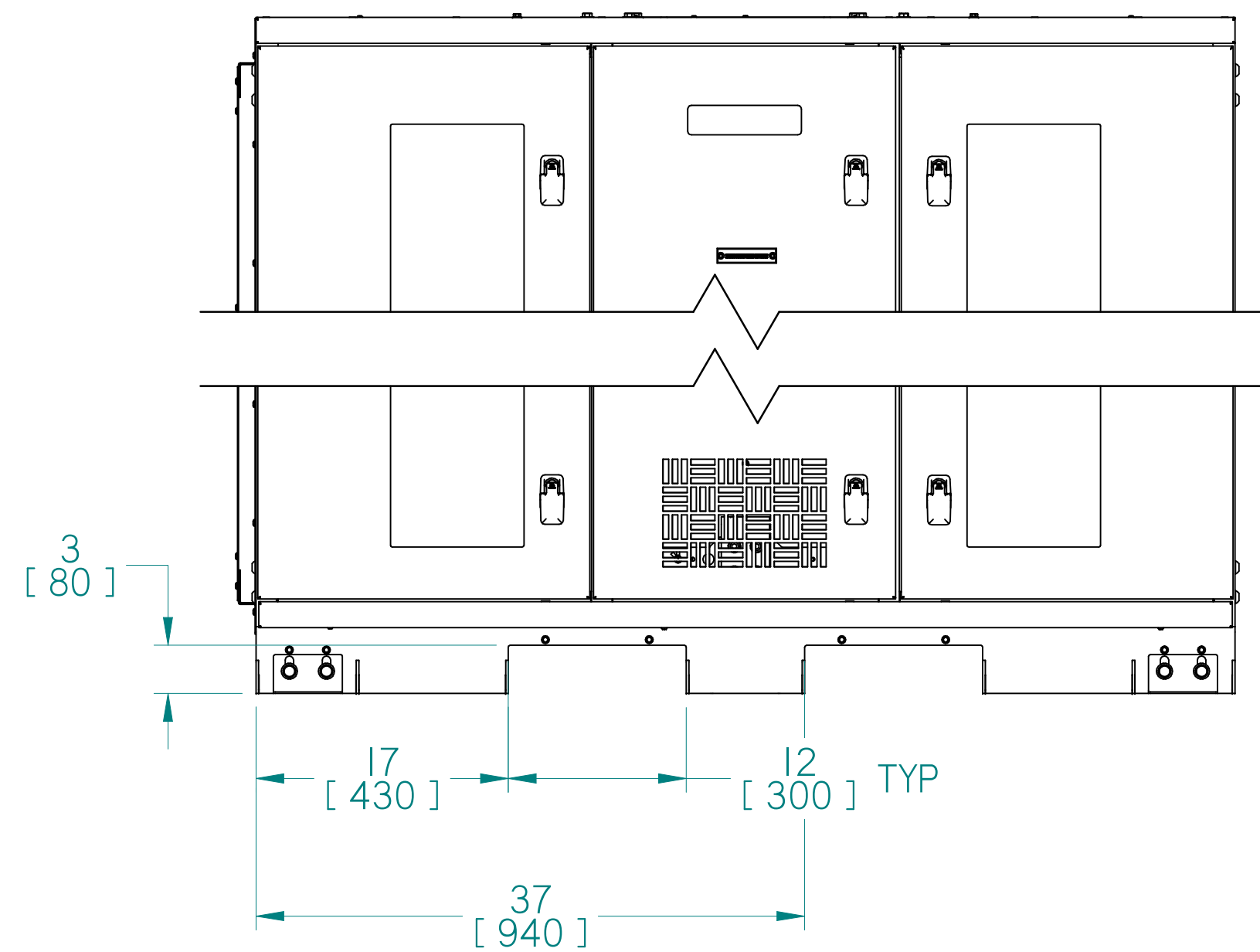
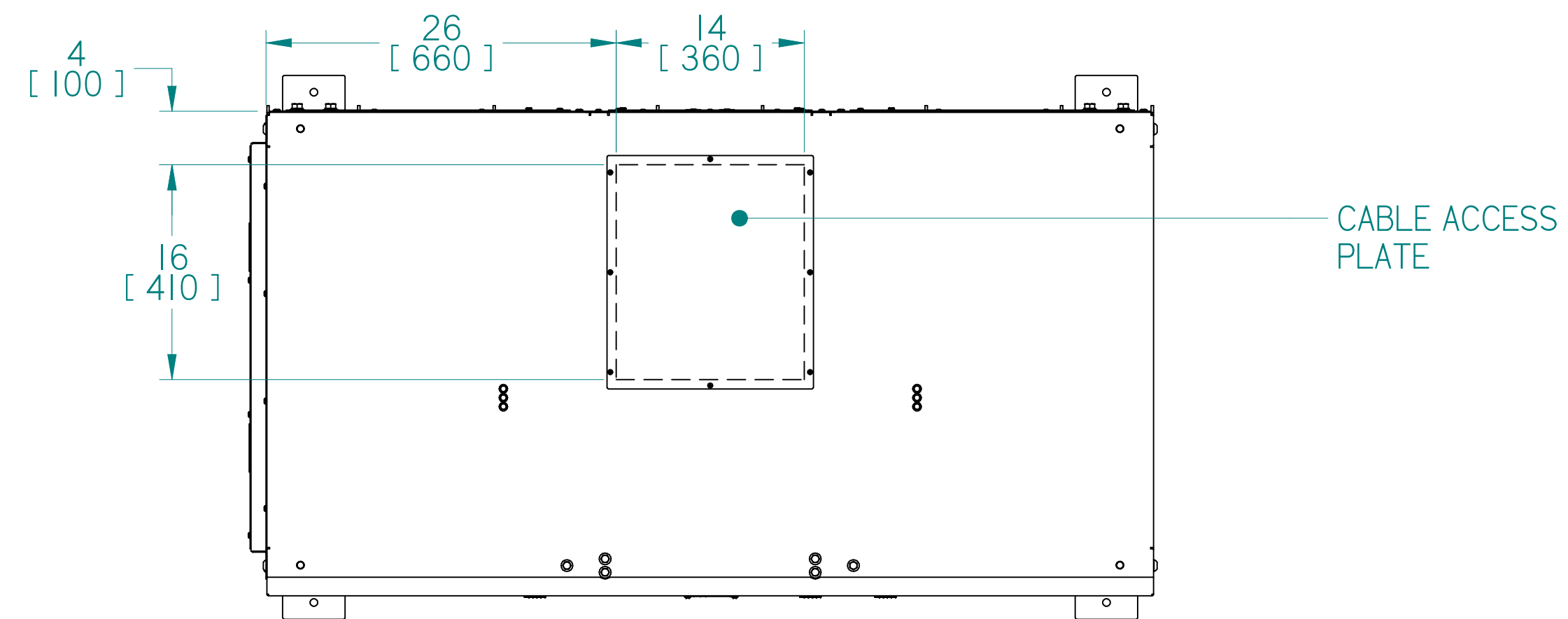
TOLERANCES:
.XX ± .03
.XXX ± .010
ANGULAR ± .1/2

FIRST ANGLE PROJ.

OUTLINE, MOUNTING, INSTALLATION DIAGRAM
QTY (72) ROWS FOR SUBFEED CIRCUIT BREAKERS
QTY (2) 1600A SAFE PANEL SUB-FEED DISTRIBUTION
ERDPARM

DWN DRT	DATE 2/12/2024	SIZE	FSCM NO.	DWG NO.	REV
CHK NEM	DATE 2/12/2024	D		94-MS-01128001	A
APVD DRT	DATE 2/12/2024	SCALE 1:10	94-MS-0112801-ASHT2	SHEET	2 of 10

REVISIONS				
ECN	REV	DESCRIPTION	DATE	APPROVED
-	A	NEW RELEASE	2/12/2024	DRT



Copyright © 2024, LayerZero Power Systems, Inc.

UNLESS OTHERWISE SPECIFIED
DIMENSIONS ARE IN INCHES
DIMENSIONS IN [] ARE IN mm
DO NOT SCALE DRAWING

TOLERANCES:
.XX ± .03
.XXX ± .010
ANGULAR ± .1/2

FIRST ANGLE PROJ.

OUTLINE, MOUNTING, INSTALLATION DIAGRAM
QTY (72) ROWS FOR SUBFEED CIRCUIT BREAKERS
QTY (2) 1600A SAFEPANEL SUB-FEED DISTRIBUTION
ERDPARM

DWN DRT	DATE 2/12/2024	SIZE	FSCM NO.	DWG NO.	REV
CHK NEM	DATE 2/12/2024	D		94-MS-01128001	A
APVD DRT	DATE 2/12/2024	SCALE 1:10	94-MS-01112801+ASHT3	SHEET	3 of 10

REVISIONS				
ECN	REV	DESCRIPTION	DATE	APPROVED
-	A	NEW RELEASE	2/12/2024	DRT

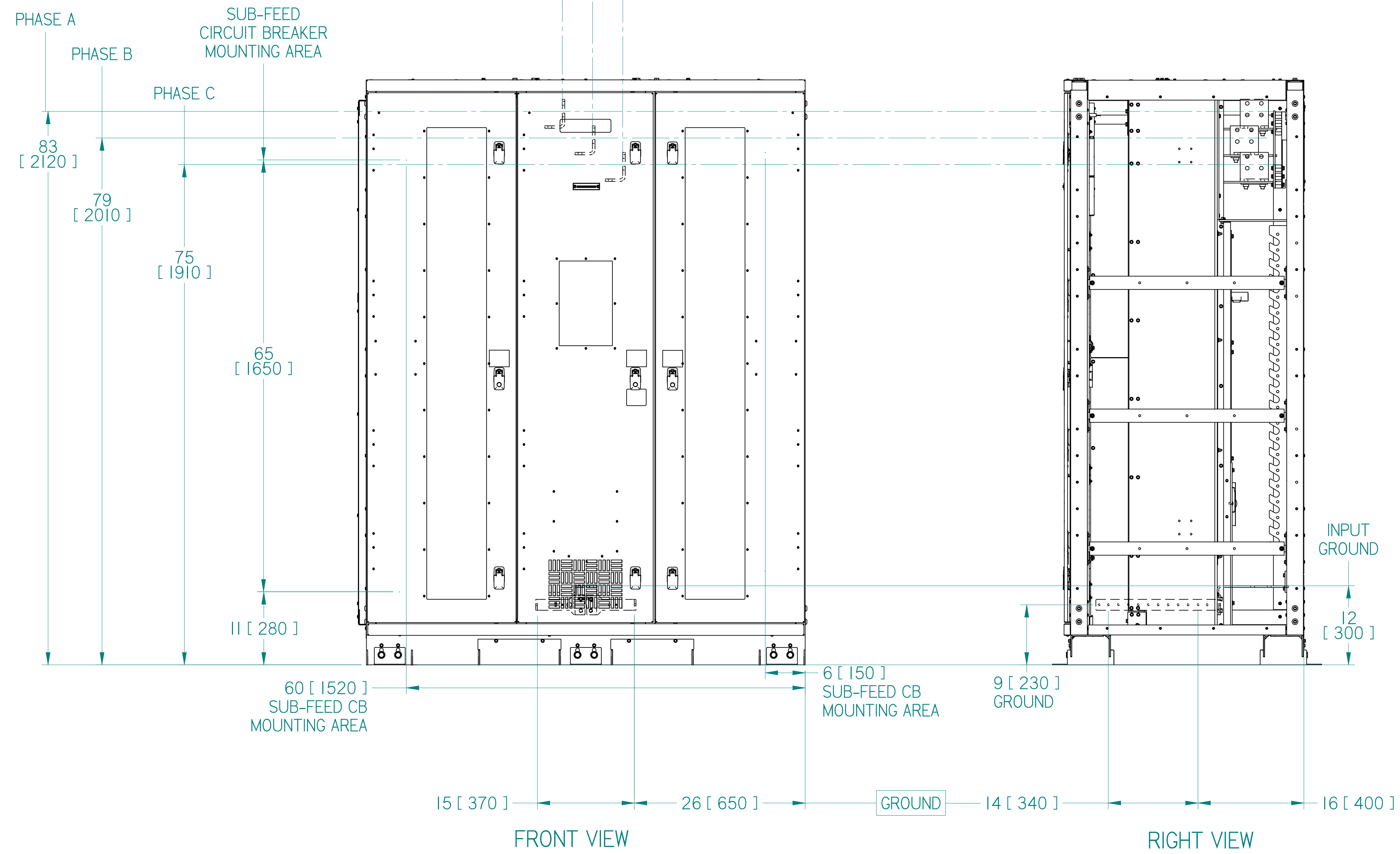
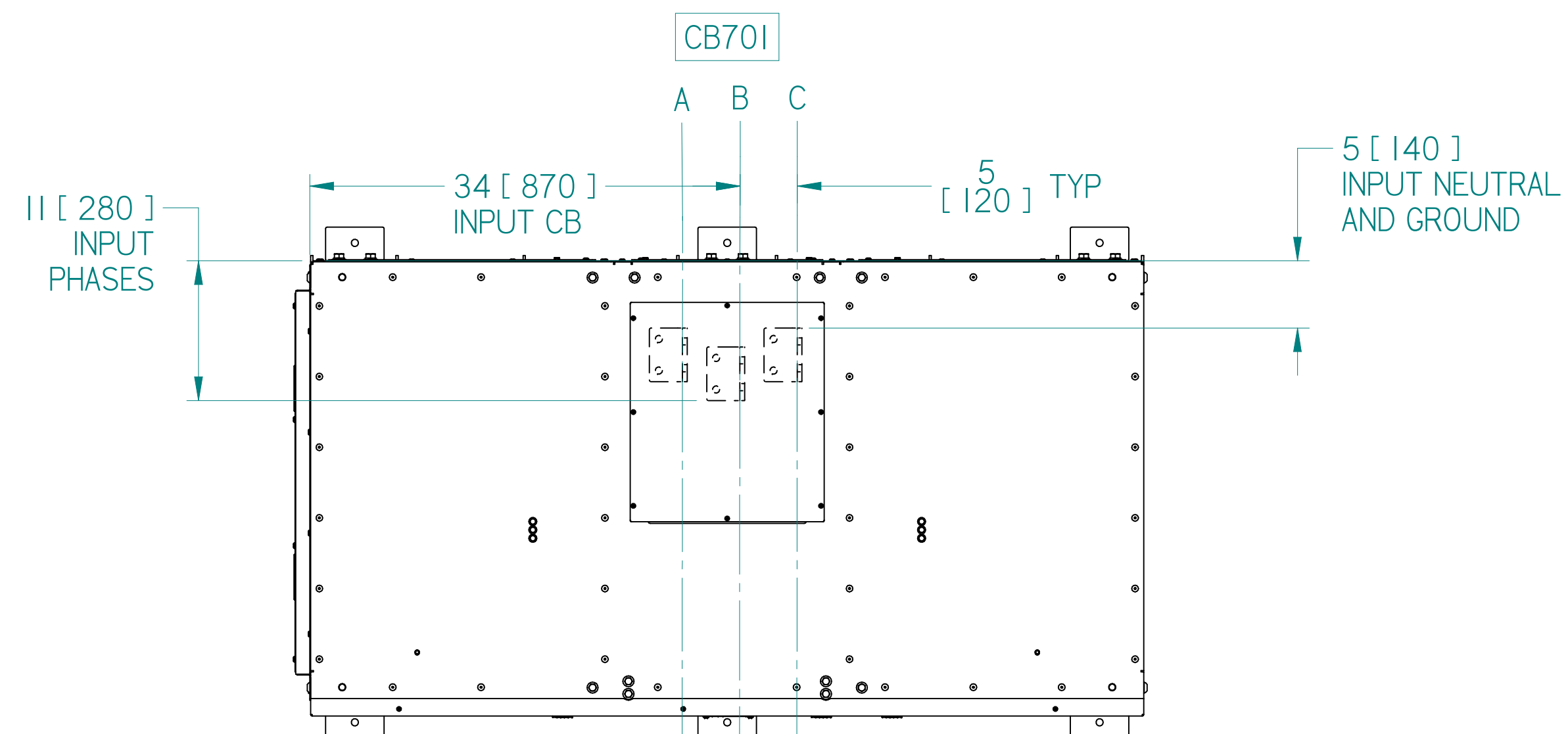


TABLE I			
1200A SAFE PANEL CONFIGURATION OPTIONS FOR 36 ROWS			
Frame Size (AF)	Percent Ratings (%)	Rows	Cover Plates
125A XT	80, 100	2	QTY1 42-01-40405534
250A XT	80, 100	3	QTY1 42-01-40405535
400A	80	3	QTY1 42-01-40405506
400A	100	6	QTY1 42-01-40405506 + QTY1 42-01-40405523
800A	80, 100	6	QTY1 42-01-40405507
BLANK -1ROW	N/A	1	QTY1 42-01-40405501
BLANK -2ROWS	N/A	2	QTY1 42-01-40405502
BLANK -3ROWS	N/A	3	QTY1 42-01-40405503

Copyright © 2024, LayerZero Power Systems, Inc.

UNLESS OTHERWISE SPECIFIED DIMENSIONS ARE IN INCHES DIMENSIONS IN [] ARE IN mm DO NOT SCALE DRAWING

TOLERANCES:
 .XX ± .03
 .XXX ± .010
 ANGULAR ± .1/2

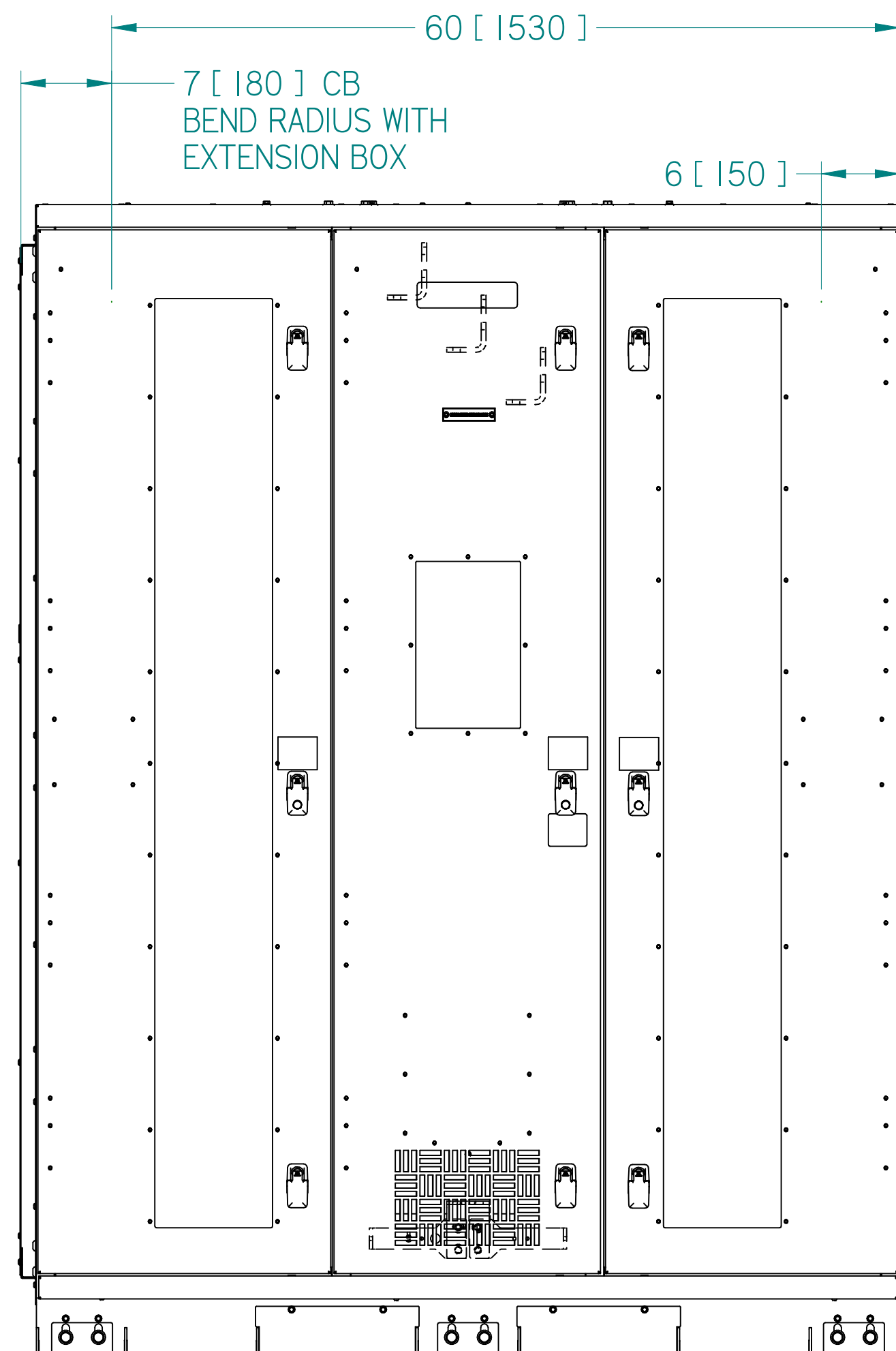
FIRST ANGLE PROJ.

LAYERZERO
POWER SYSTEMS, INC.

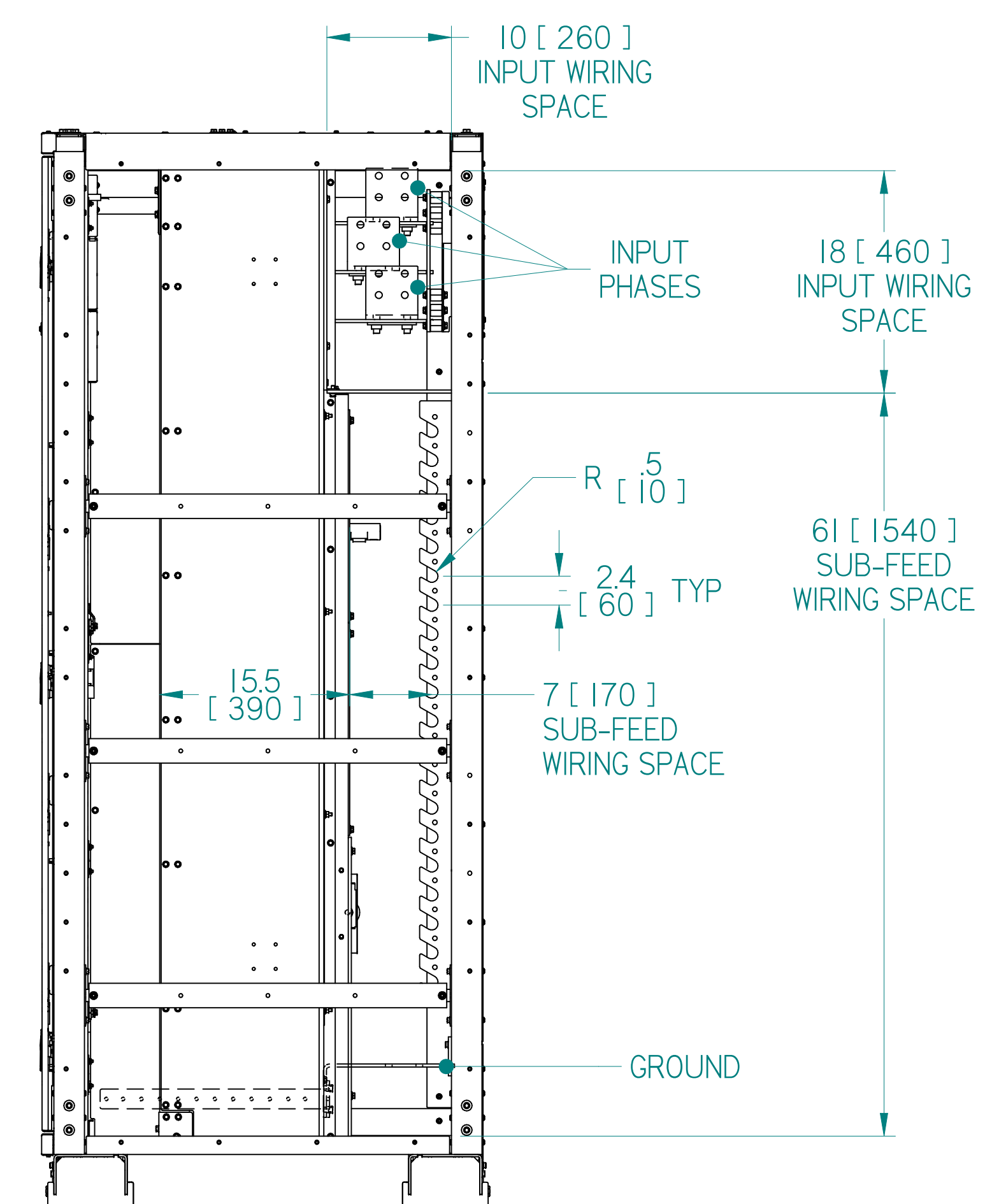
OUTLINE, MOUNTING, INSTALLATION DIAGRAM
 QTY (72) ROWS FOR SUBFEED CIRCUIT BREAKERS
 QTY (2) 1600A SAFE PANEL SUB-FEED DISTRIBUTION
 ERDPARM

DWN DRT	DATE 2/12/2024	SIZE	FSCM NO.	DWG NO.	REV
CHK NEM	DATE 2/12/2024	D		94-MS-01128001	A
APVD DRT	DATE 2/12/2024	SCALE 1:1	94-MS-0112801-ASHT4	SHEET	4 of 10

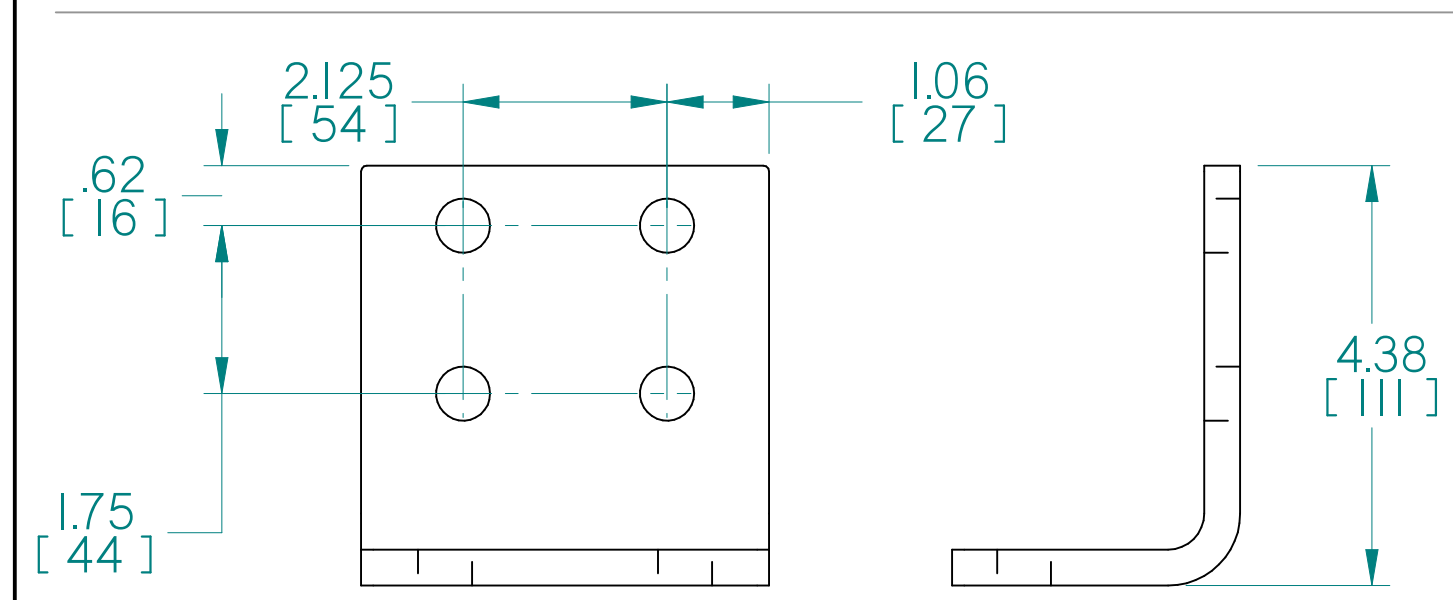
REVISIONS				
ECN	REV	DESCRIPTION	DATE	APPROVED
-	A	NEW RELEASE	2/12/2024	DRT



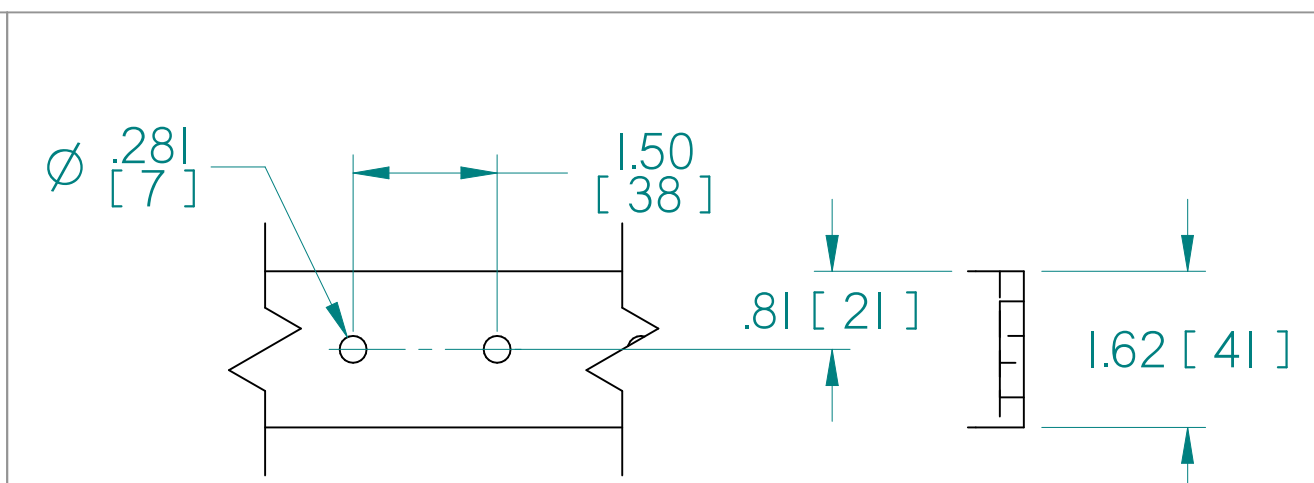
FRONT VIEW



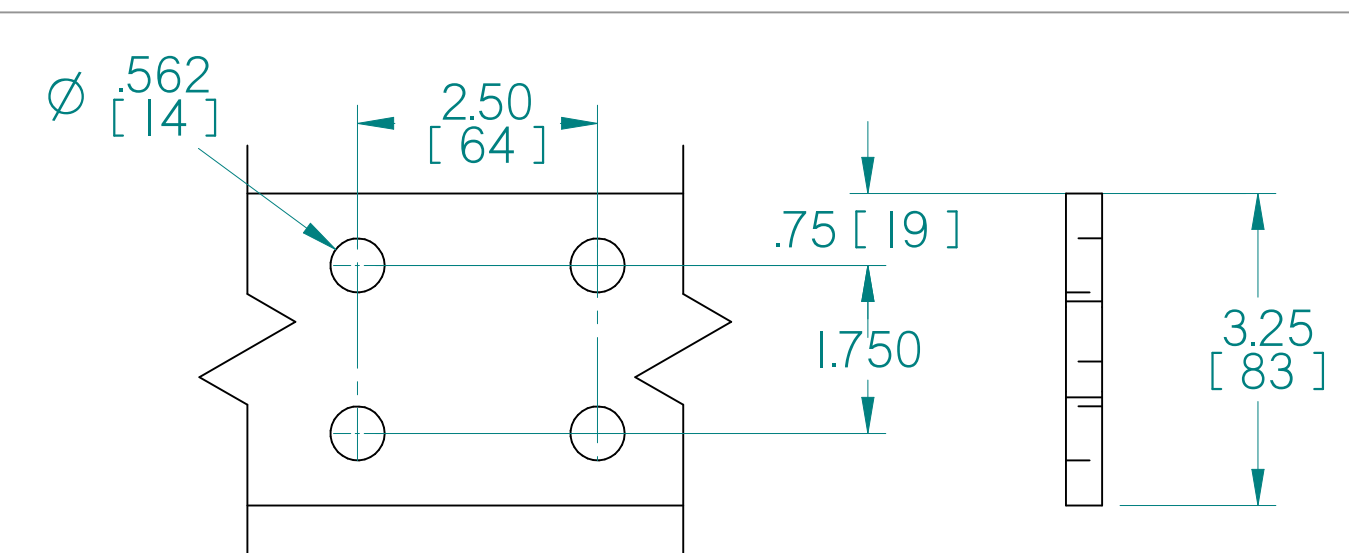
RIGHT VIEW



INPUT PHASES
SCALE 1:2



OUTPUT GROUND
SCALE 1:2



INPUT GROUND
SCALE 1:2

Copyright © 2024, LayerZero Power Systems, Inc.

UNLESS OTHERWISE SPECIFIED
DIMENSIONS ARE IN INCHES
DIMENSIONS IN [] ARE IN mm
DO NOT SCALE DRAWING

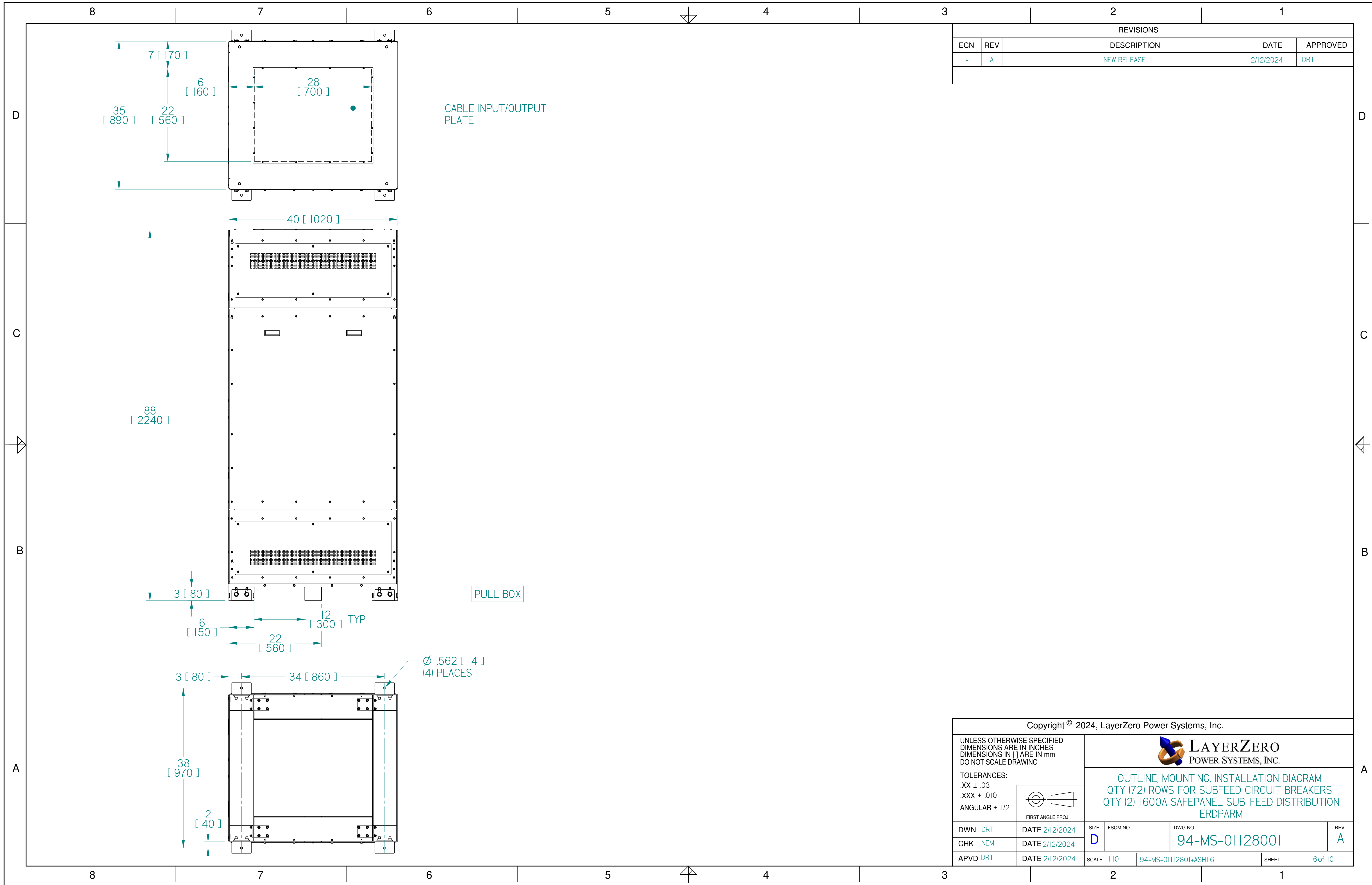
LAYERZERO
POWER SYSTEMS, INC.

OUTLINE, MOUNTING, INSTALLATION DIAGRAM
QTY (72) ROWS FOR SUBFEED CIRCUIT BREAKERS
QTY (2) 1600A SAFEPANEL SUB-FEED DISTRIBUTION
ERDPARM

TOLERANCES:
.XX ± .03
.XXX ± .010
ANGULAR ± .1/2

FIRST ANGLE PROJ.

DWN DRT	DATE 2/12/2024	SIZE	FSCM NO.	DWG NO.	REV
CHK NEM	DATE 2/12/2024	D		94-MS-01128001	A
APVD DRT	DATE 2/12/2024	SCALE 1:2	94-MS-0112801-ASHT5	SHEET	5 of 10



REVISIONS				
ECN	REV	DESCRIPTION	DATE	APPROVED
-	A	NEW RELEASE	2/12/2024	DRT

Copyright © 2024, LayerZero Power Systems, Inc.

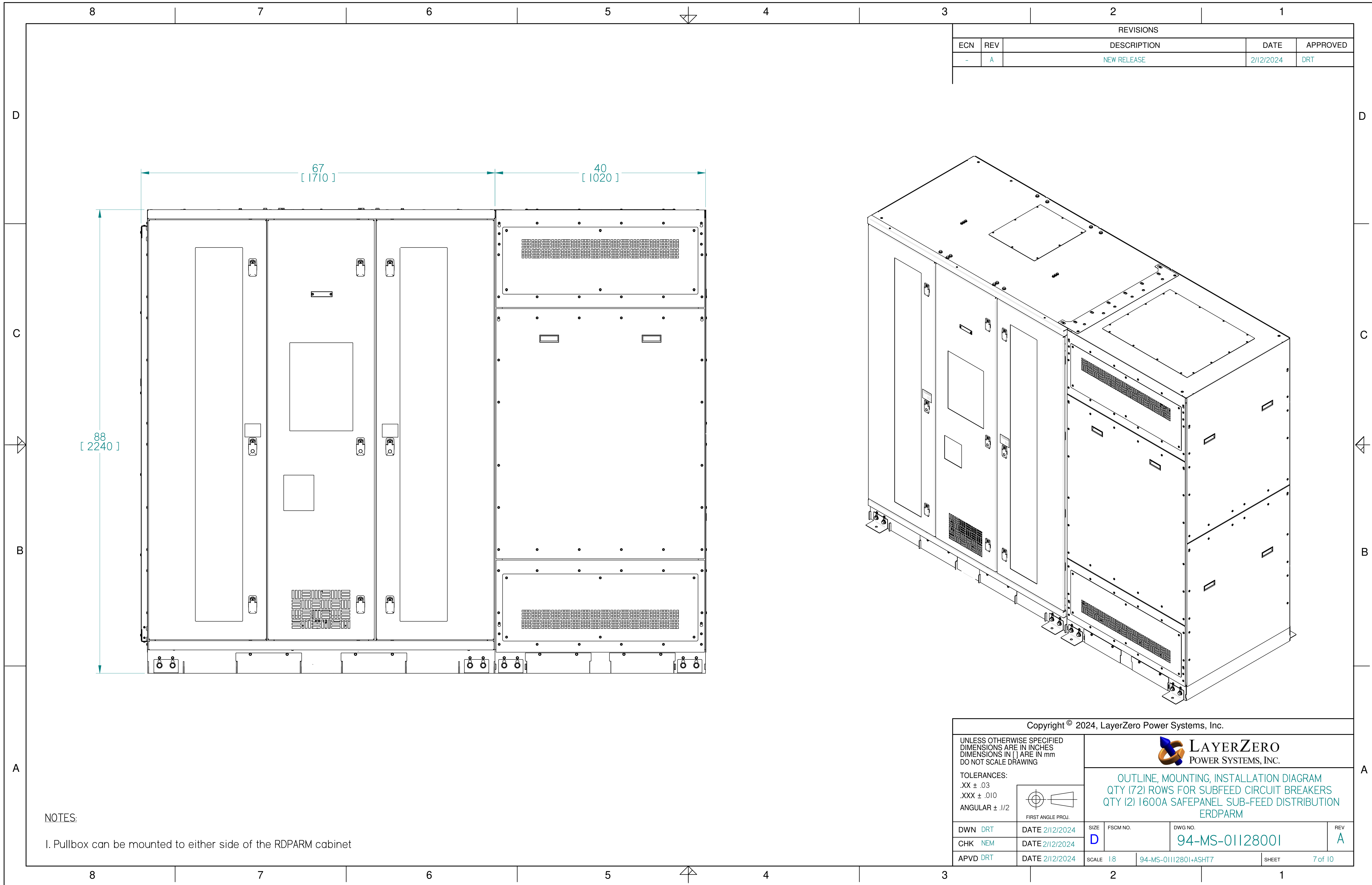
UNLESS OTHERWISE SPECIFIED
DIMENSIONS ARE IN INCHES
DIMENSIONS IN [] ARE IN mm
DO NOT SCALE DRAWING

TOLERANCES:
.XX ± .03
.XXX ± .010
ANGULAR ± .1/2

FIRST ANGLE PROJ.

OUTLINE, MOUNTING, INSTALLATION DIAGRAM
QTY (72) ROWS FOR SUBFEED CIRCUIT BREAKERS
QTY (2) 1600A SAFEPANEL SUB-FEED DISTRIBUTION
ERDPARM

DWN DRT	DATE 2/12/2024	SIZE	FSCM NO.	DWG NO.	REV
CHK NEM	DATE 2/12/2024	D		94-MS-01128001	A
APVD DRT	DATE 2/12/2024	SCALE 1:10	94-MS-01112801+ASHT6	SHEET	6 of 10



REVISIONS				
ECN	REV	DESCRIPTION	DATE	APPROVED
-	A	NEW RELEASE	2/12/2024	DRT

NOTES:
 I. Pullbox can be mounted to either side of the RDPARM cabinet

Copyright © 2024, LayerZero Power Systems, Inc.

UNLESS OTHERWISE SPECIFIED
 DIMENSIONS ARE IN INCHES
 DIMENSIONS IN [] ARE IN mm
 DO NOT SCALE DRAWING

TOLERANCES:
 .XX ± .03
 .XXX ± .010
 ANGULAR ± .1/2

FIRST ANGLE PROJ.

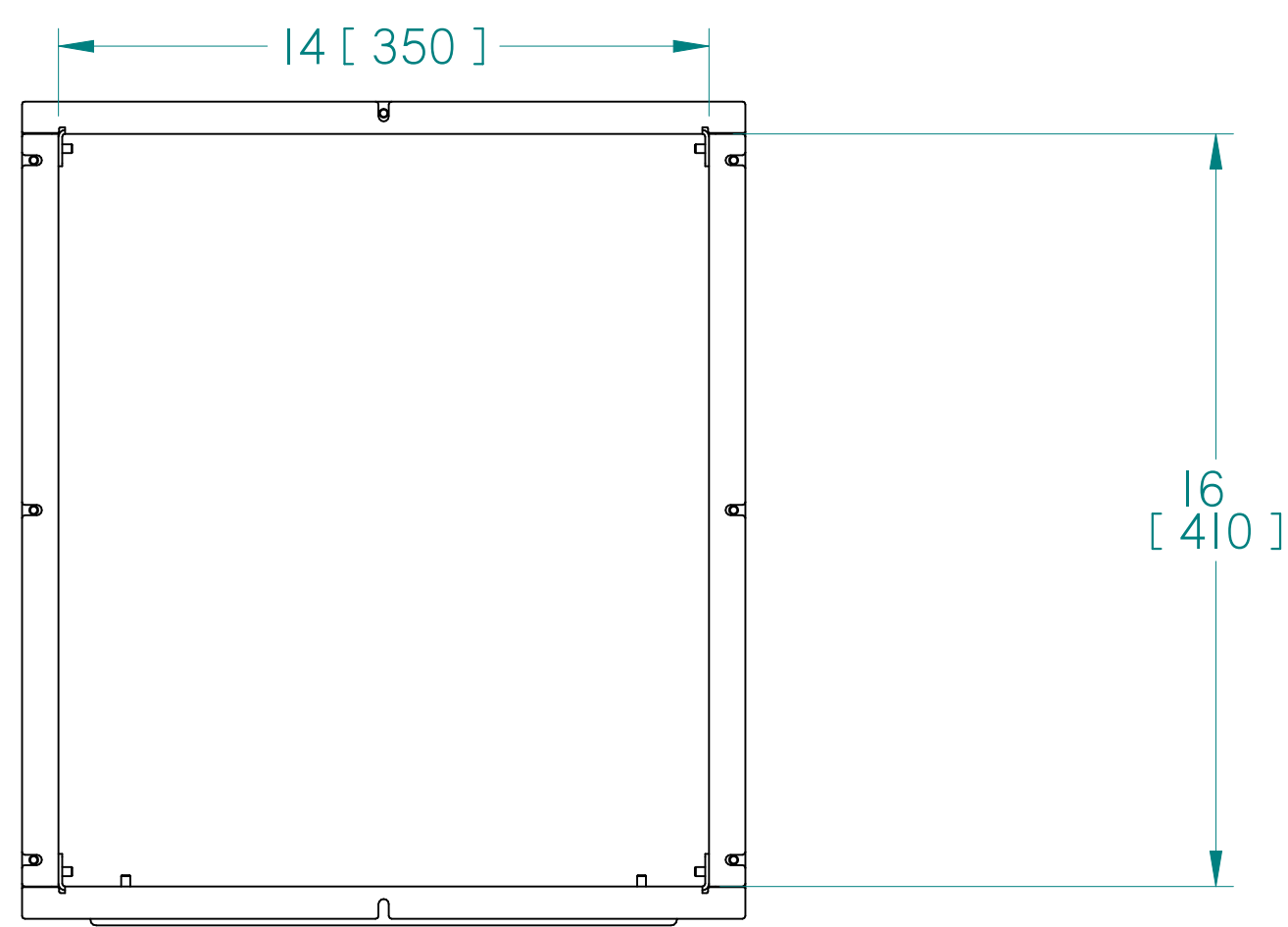
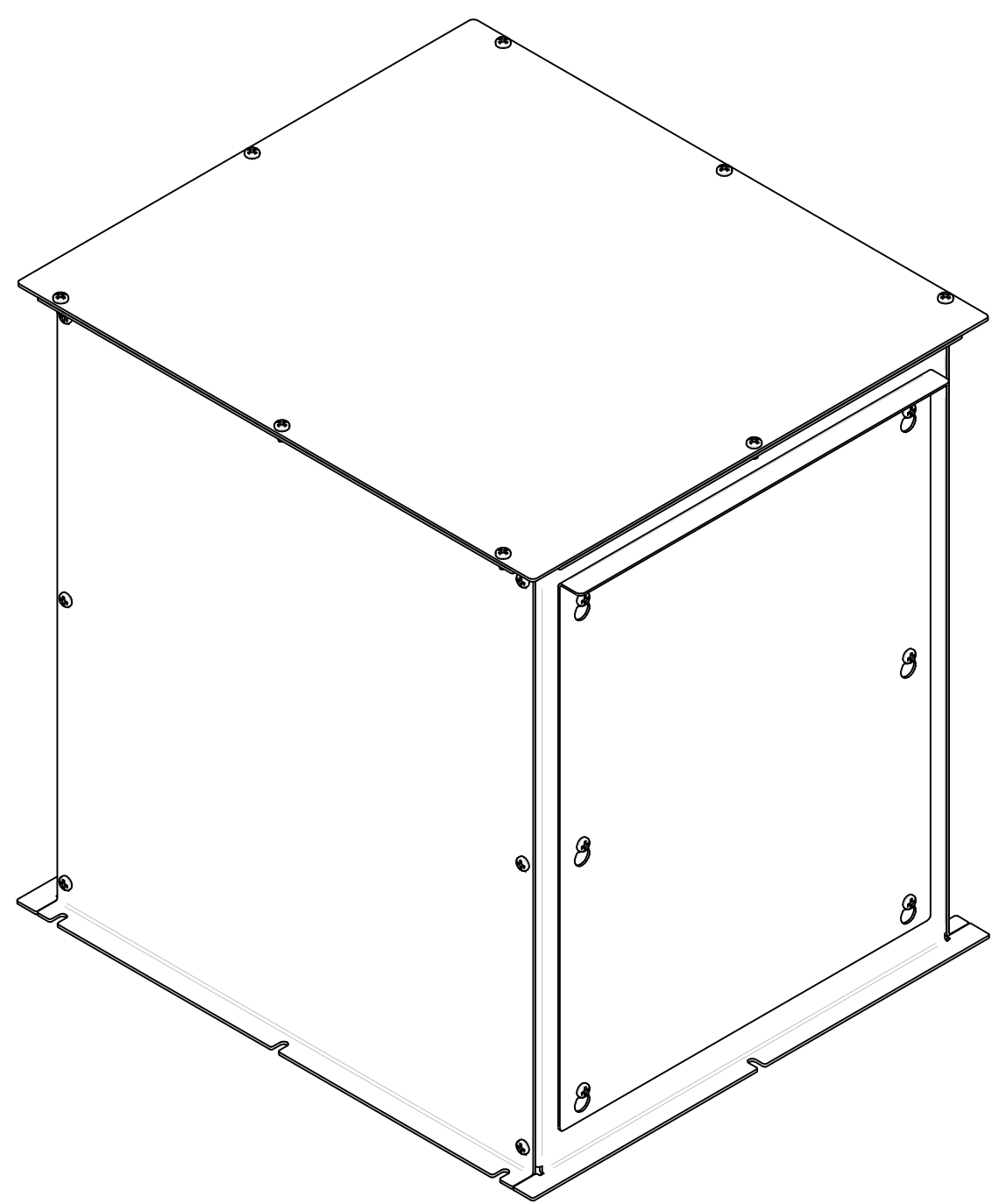
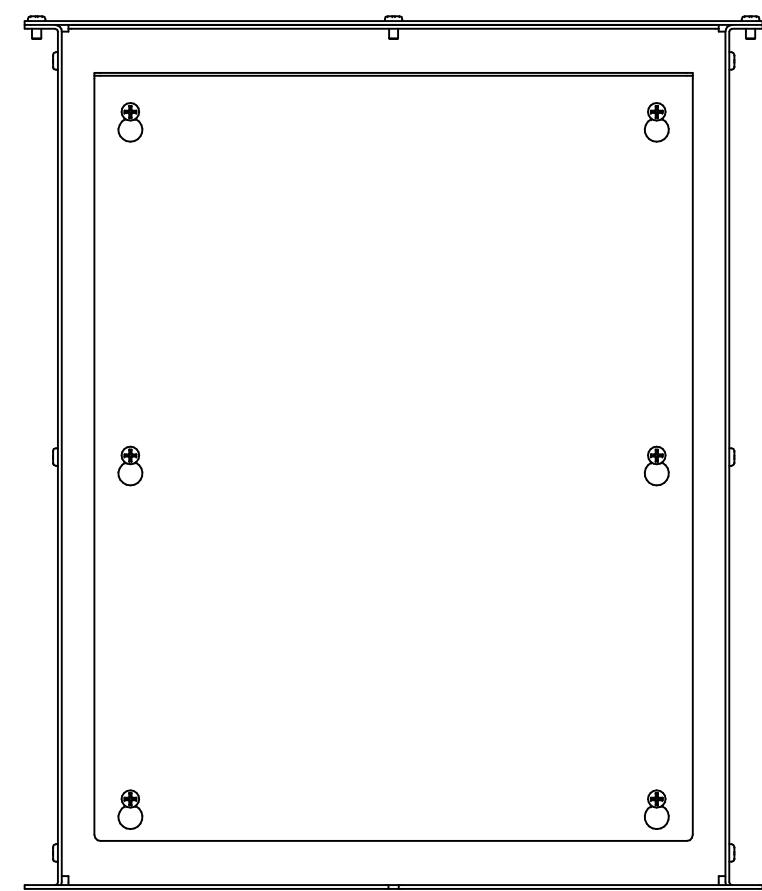
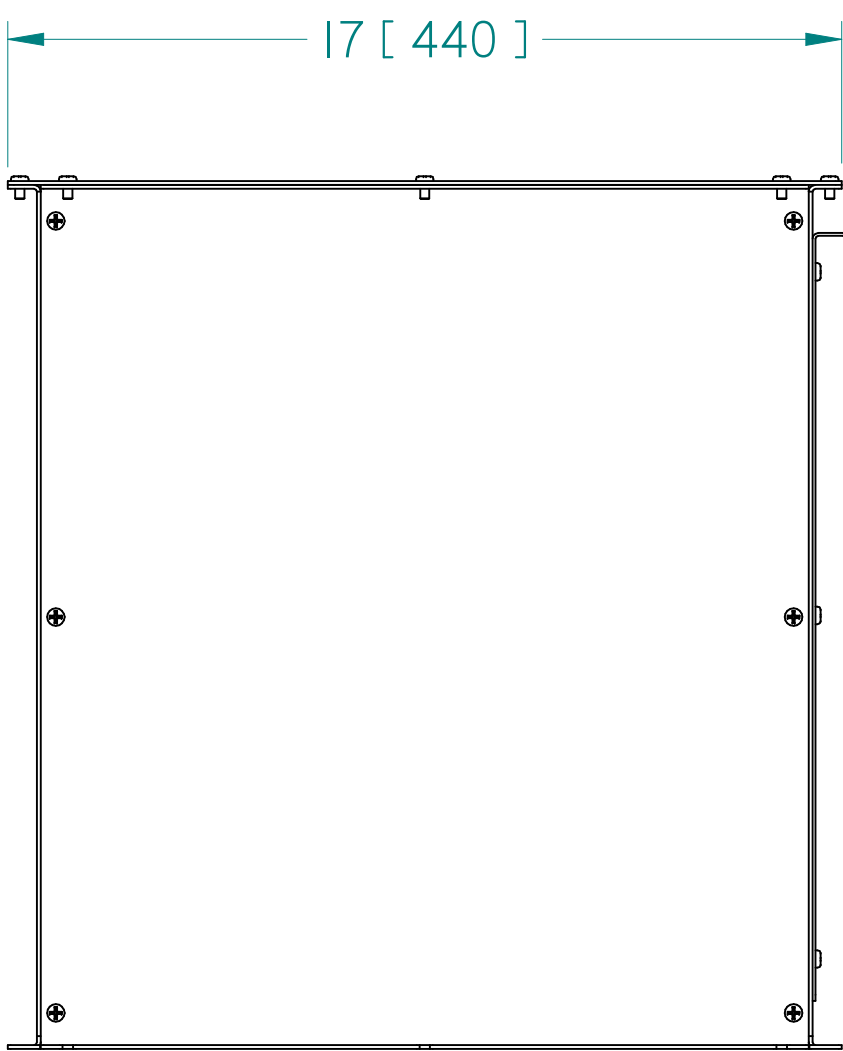
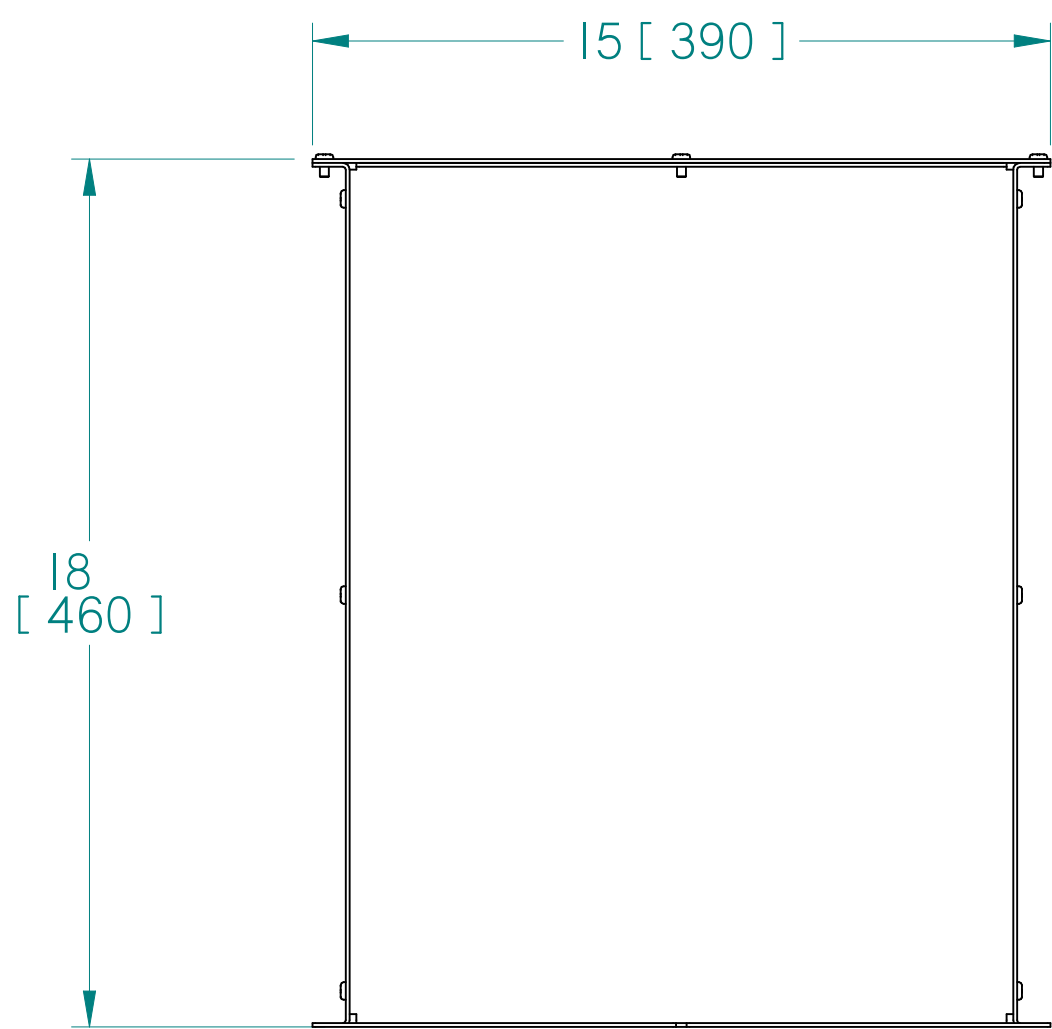
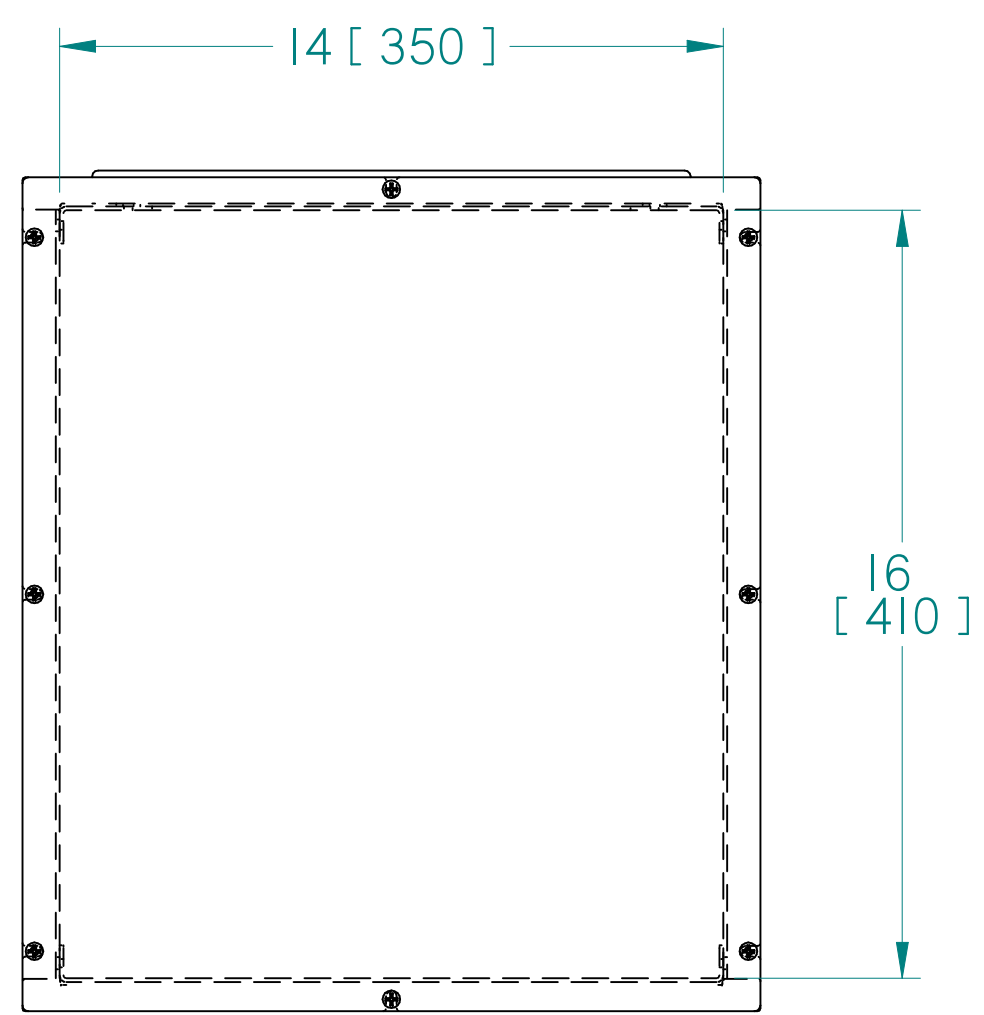
LAYERZERO
 POWER SYSTEMS, INC.

OUTLINE, MOUNTING, INSTALLATION DIAGRAM
 QTY (72) ROWS FOR SUBFEED CIRCUIT BREAKERS
 QTY (2) 1600A SAFEPANEL SUB-FEED DISTRIBUTION
 ERDPARM

DWN DRT	DATE 2/12/2024	SIZE	FSCM NO.	DWG NO.	REV
CHK NEM	DATE 2/12/2024	D		94-MS-01128001	A
APVD DRT	DATE 2/12/2024	SCALE 1:8	94-MS-0112801-ASHT7	SHEET	7 of 10

42-00-40513512+A

REVISIONS				
ECN	REV	DESCRIPTION	DATE	APPROVED
-	A	NEW RELEASE	2/12/2024	DRT



NOTES:
 I. Standard 18IN junction box supplied for top cable exit.
 A removable front cover is supplied for cable pull and intermittent thermal testing.

Copyright © 2024, LayerZero Power Systems, Inc.

UNLESS OTHERWISE SPECIFIED
 DIMENSIONS ARE IN INCHES
 DIMENSIONS IN [] ARE IN mm
 DO NOT SCALE DRAWING

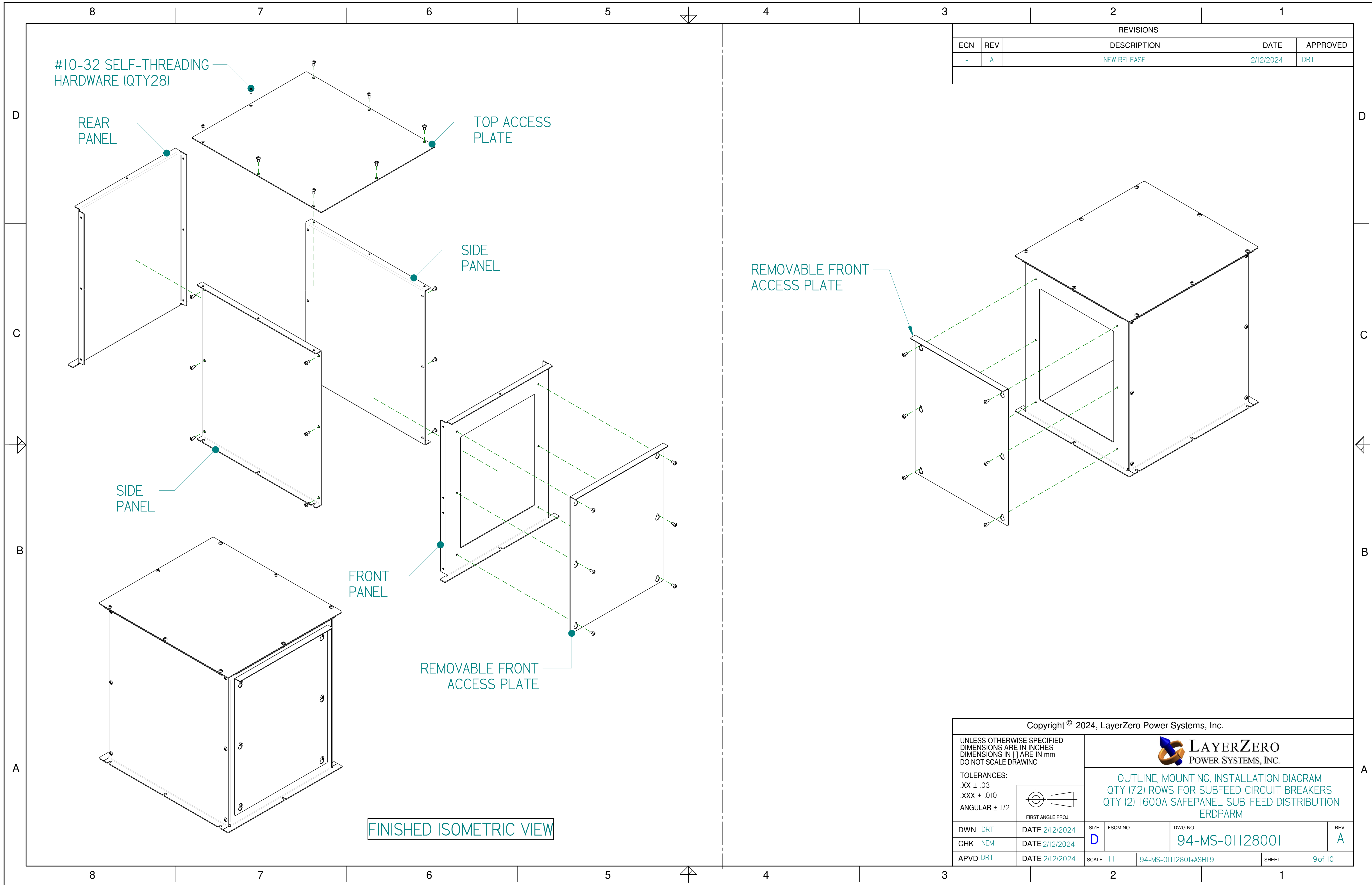
TOLERANCES:
 .XX ± .03
 .XXX ± .010
 ANGULAR ± .1/2

FIRST ANGLE PROJ.

LAYERZERO
 POWER SYSTEMS, INC.

OUTLINE, MOUNTING, INSTALLATION DIAGRAM
 QTY (72) ROWS FOR SUBFEED CIRCUIT BREAKERS
 QTY (2) 1600A SAFEPANEL SUB-FEED DISTRIBUTION
 ERDPARM

DWN DRT	DATE 2/12/2024	SIZE D	FSCM NO.	DWG NO. 94-MS-01128001	REV A
CHK NEM	DATE 2/12/2024	SCALE 1:1	94-MS-0112801+ASHT8	SHEET 8 of 10	
APVD DRT	DATE 2/12/2024				



REVISIONS				
ECN	REV	DESCRIPTION	DATE	APPROVED
-	A	NEW RELEASE	2/12/2024	DRT

Copyright © 2024, LayerZero Power Systems, Inc.

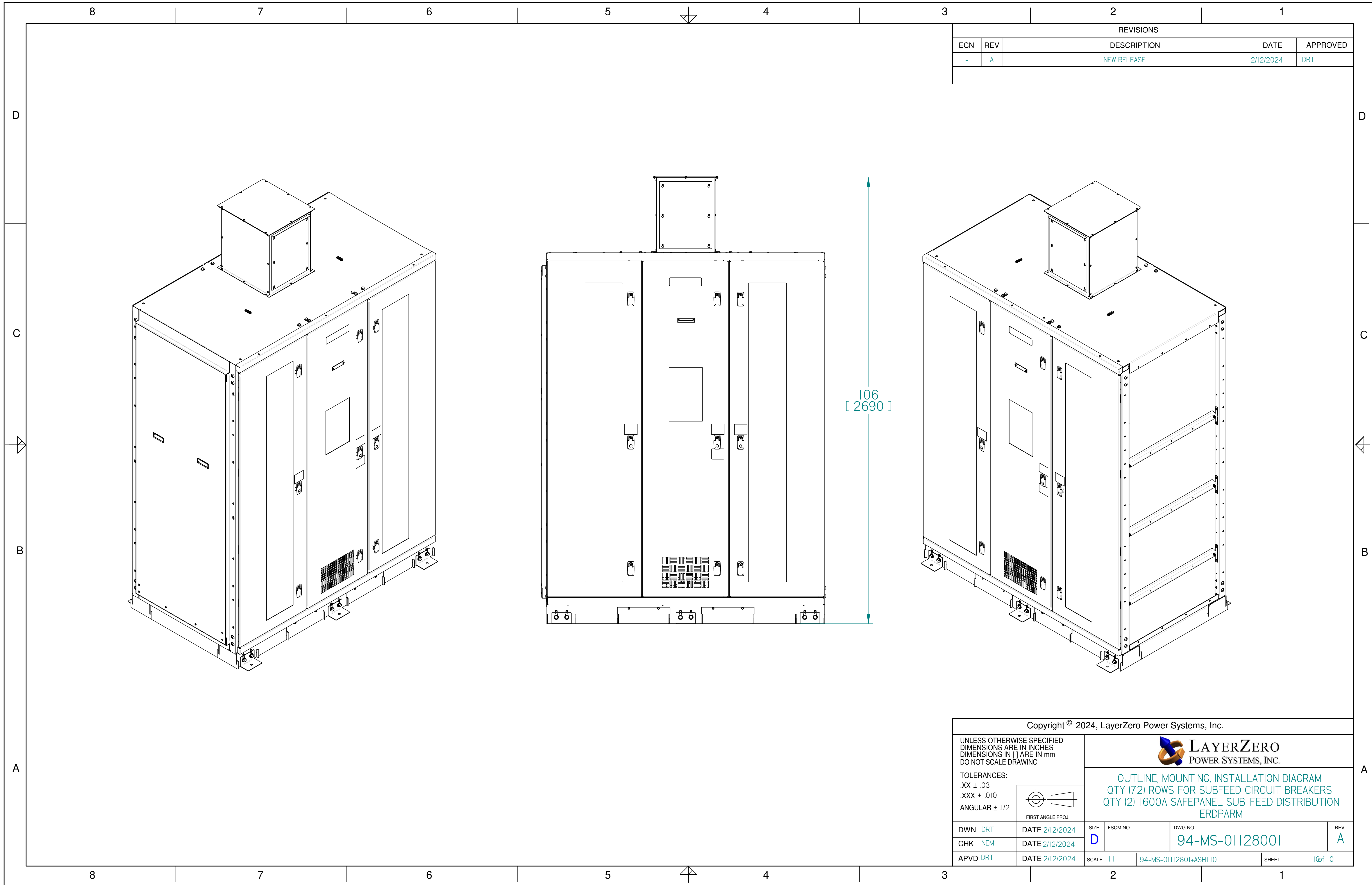
UNLESS OTHERWISE SPECIFIED
DIMENSIONS ARE IN INCHES
DIMENSIONS IN [] ARE IN mm
DO NOT SCALE DRAWING

TOLERANCES:
.XX ± .03
.XXX ± .010
ANGULAR ± .1/2

FIRST ANGLE PROJ.

OUTLINE, MOUNTING, INSTALLATION DIAGRAM
QTY (72) ROWS FOR SUBFEED CIRCUIT BREAKERS
QTY (2) 1600A SAFE PANEL SUB-FEED DISTRIBUTION
ERDPARM

DWN DRT	DATE 2/12/2024	SIZE	FSCM NO.	DWG NO.	REV
CHK NEM	DATE 2/12/2024	D		94-MS-01128001	A
APVD DRT	DATE 2/12/2024	SCALE 1:1	94-MS-0112801-ASHT9	SHEET	9 of 10



REVISIONS				
ECN	REV	DESCRIPTION	DATE	APPROVED
-	A	NEW RELEASE	2/12/2024	DRT

106
[2690]

Copyright © 2024, LayerZero Power Systems, Inc.

UNLESS OTHERWISE SPECIFIED
DIMENSIONS ARE IN INCHES
DIMENSIONS IN [] ARE IN mm
DO NOT SCALE DRAWING

TOLERANCES:
.XX ± .03
.XXX ± .010
ANGULAR ± .1/2

FIRST ANGLE PROJ.

OUTLINE, MOUNTING, INSTALLATION DIAGRAM
QTY (72) ROWS FOR SUBFEED CIRCUIT BREAKERS
QTY (2) 1600A SAFE PANEL SUB-FEED DISTRIBUTION
ERDPARM

DWN DRT	DATE 2/12/2024	SIZE D	FSCM NO.	DWG NO. 94-MS-01128001	REV A
CHK NEM	DATE 2/12/2024	SCALE 1:1	94-MS-0112801-ASHT10	SHEET 10 of 10	
APVD DRT	DATE 2/12/2024				