

CLEARANCES
 FRONT: 42IN [1067]
 REAR: 6IN [152]
 LEFT/RIGHT: 0IN [0]
 TOP: 18IN [457]

WEIGHT
 2500# [1150KG]

REVISIONS				
ECN	REV	DESCRIPTION	DATE	APPROVED
-	B	REMOVED NEUTRAL CALLOUTS	02/12/2024	DRT

- NOTES:
1. Front access only required for operation and servicing of the RDPARM Controls and Mains.
 2. A Pull Box is available for input/output cable access. See Sheet 6 for details
 3. Sheets 2 through 5 will show the assembly in various forms
 4. See Sheet 3 for Cable Access Areas and forklift provisions details
 - Forklift provision from the front and rear of the assembly is available
 5. See Sheet 4, Table I, for available configurations of the Sub-Feed Circuit Breakers:
 - Circuit Breakers are based on their maximum frame rating (AF)
 - (36) rows are available for this specific configuration
 - The SafePanel is center-tapped with a maximum total current of 1200A
 - The maximum current on either side of the tap is 800A
 - For 400A breakers, the maximum rating of adjacent circuit breakers is 80%
 - For a 100% rating, one empty space is required above the circuit breaker
 - For 600A breakers or greater, they must be installed on the pullbox side of the RDP
 6. See Sheet 5 for landing pad details
 7. See Sheets 6 and 7 for Pull Box details
 8. See Sheets 8 thru 10 for Junction Box details
 9. See One-Line electrical diagram for further detail

Copyright © 2024, LayerZero Power Systems, Inc.

UNLESS OTHERWISE SPECIFIED
 DIMENSIONS ARE IN INCHES
 DIMENSIONS IN [] ARE IN mm
 DO NOT SCALE DRAWING

TOLERANCES:
 .XX ± .03
 .XXX ± .010
 ANGULAR ± .1/2

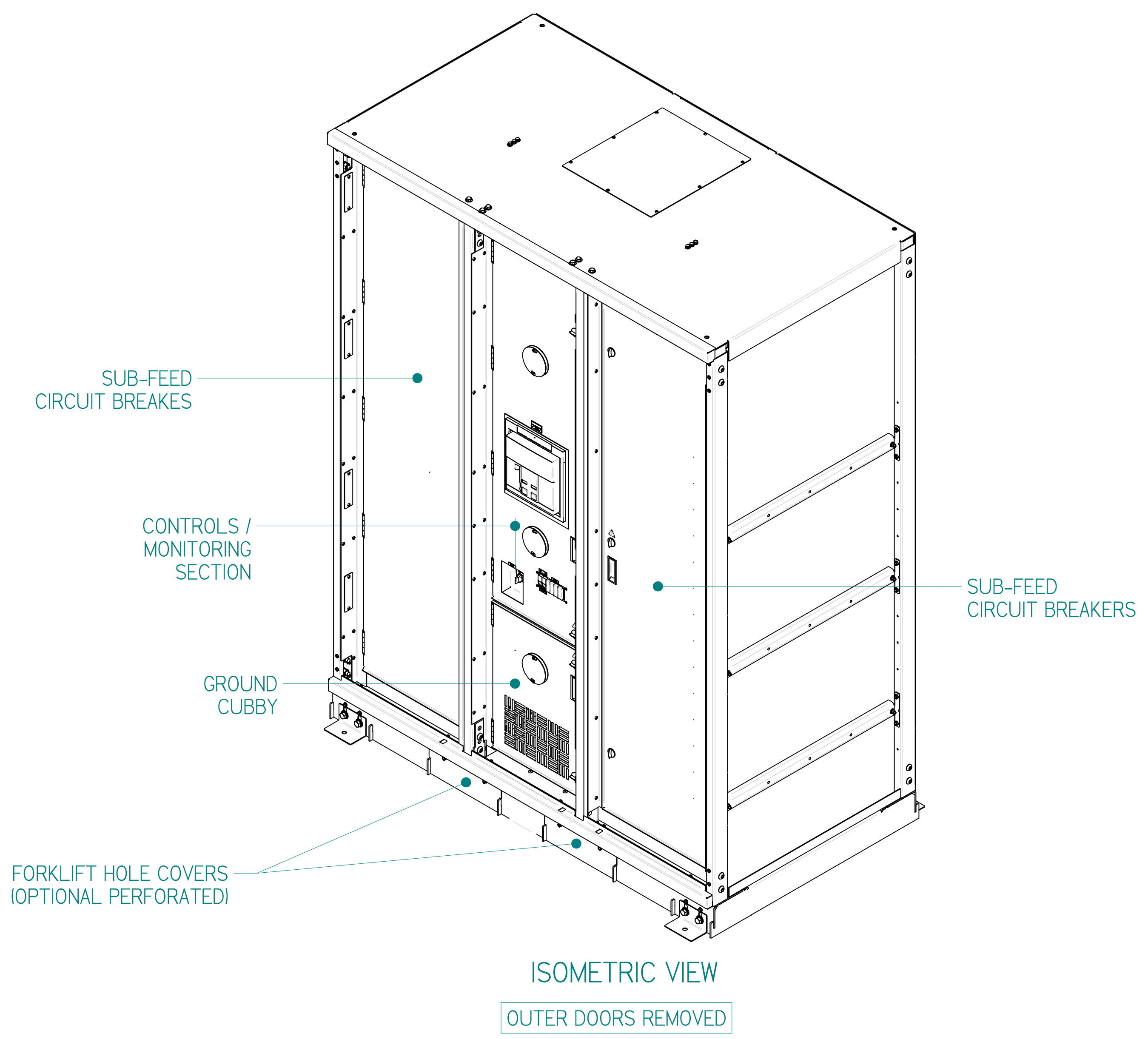
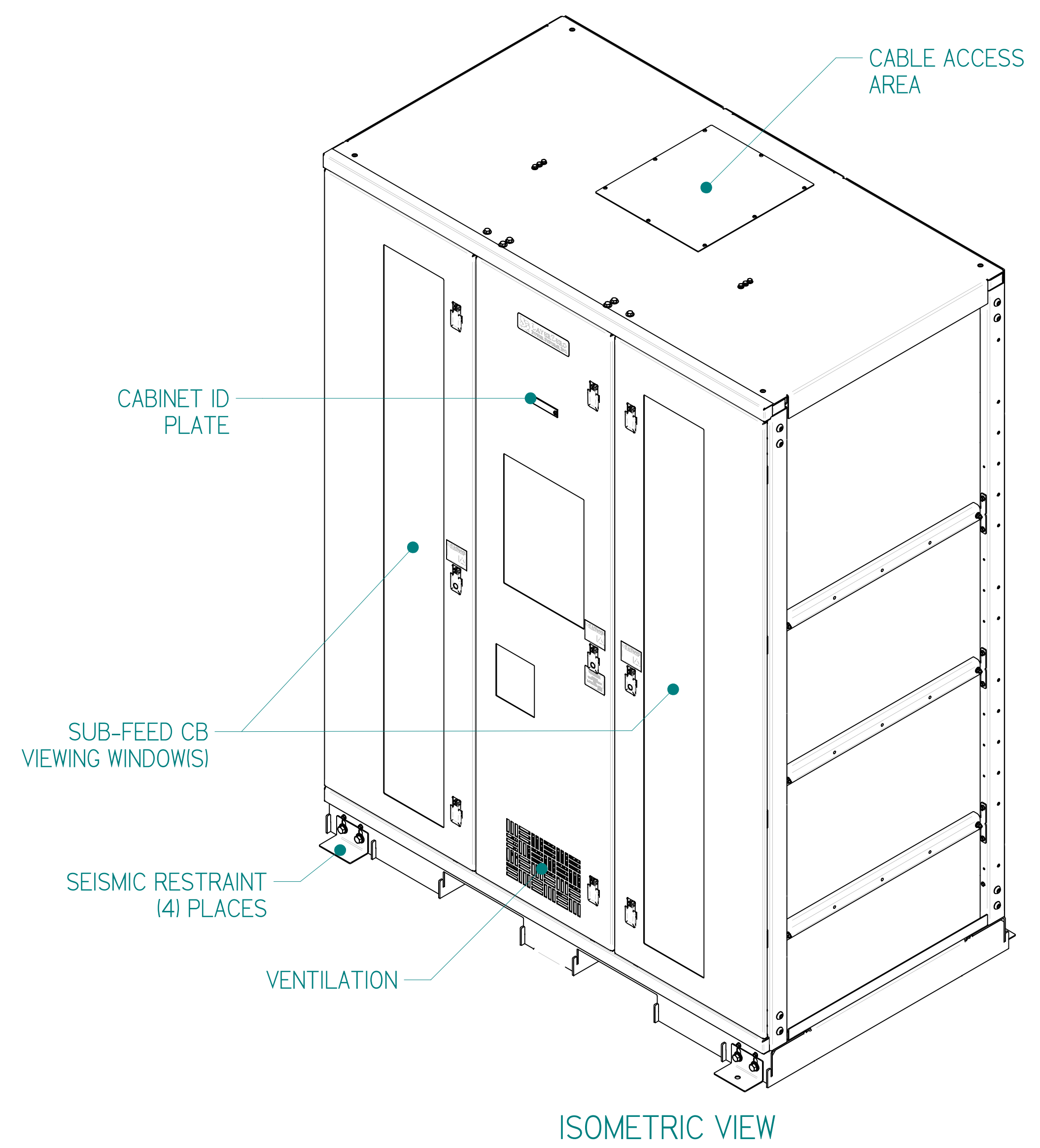
FIRST ANGLE PROJ.


LAYERZERO
 POWER SYSTEMS, INC.

OUTLINE, MOUNTING, INSTALLATION DIAGRAM
 QTY (72) ROWS FOR SUBFEED CIRCUIT BREAKERS
 QTY (2) 1200A SAFE-PANEL SUB-FEED DISTRIBUTION
 ERDPARM

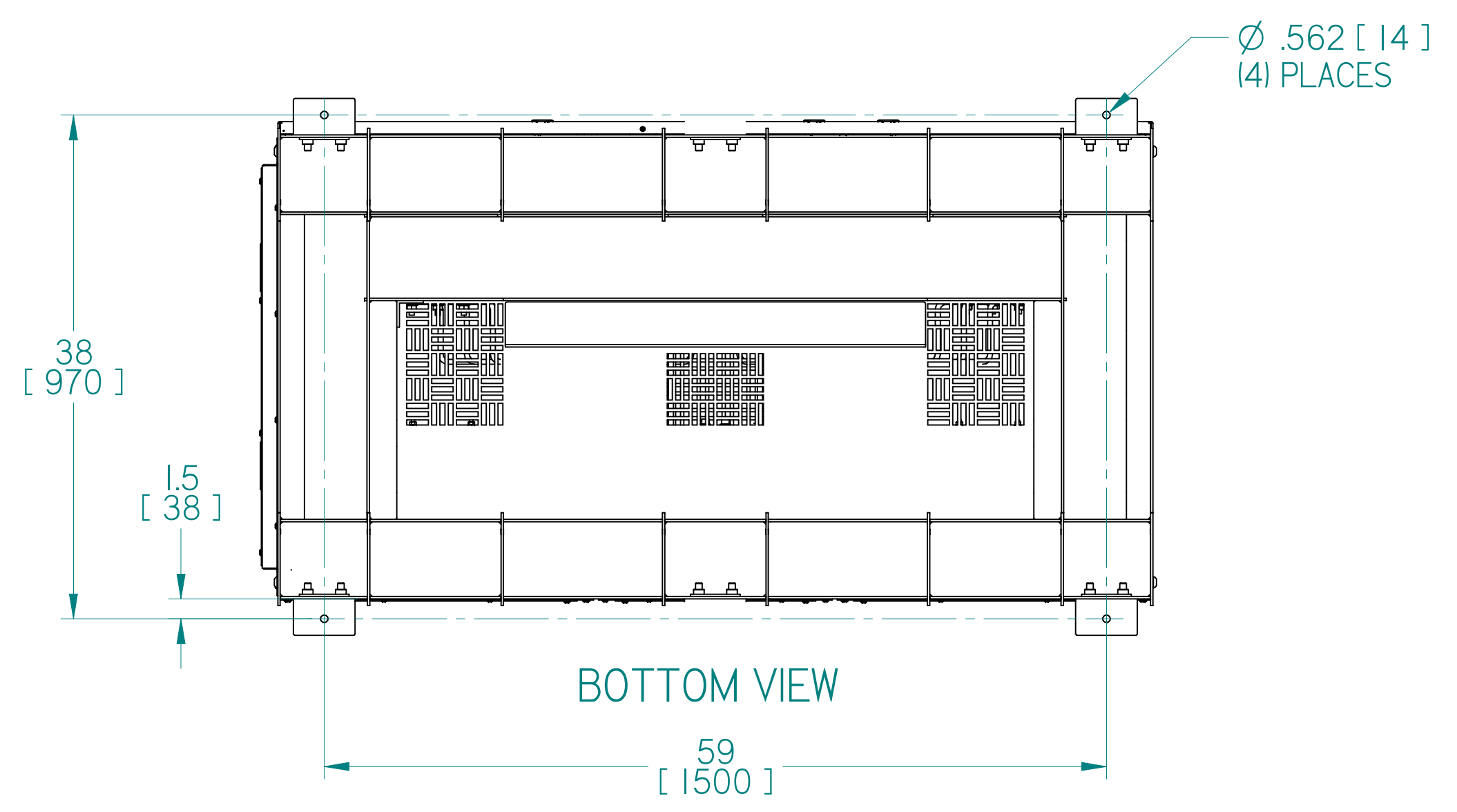
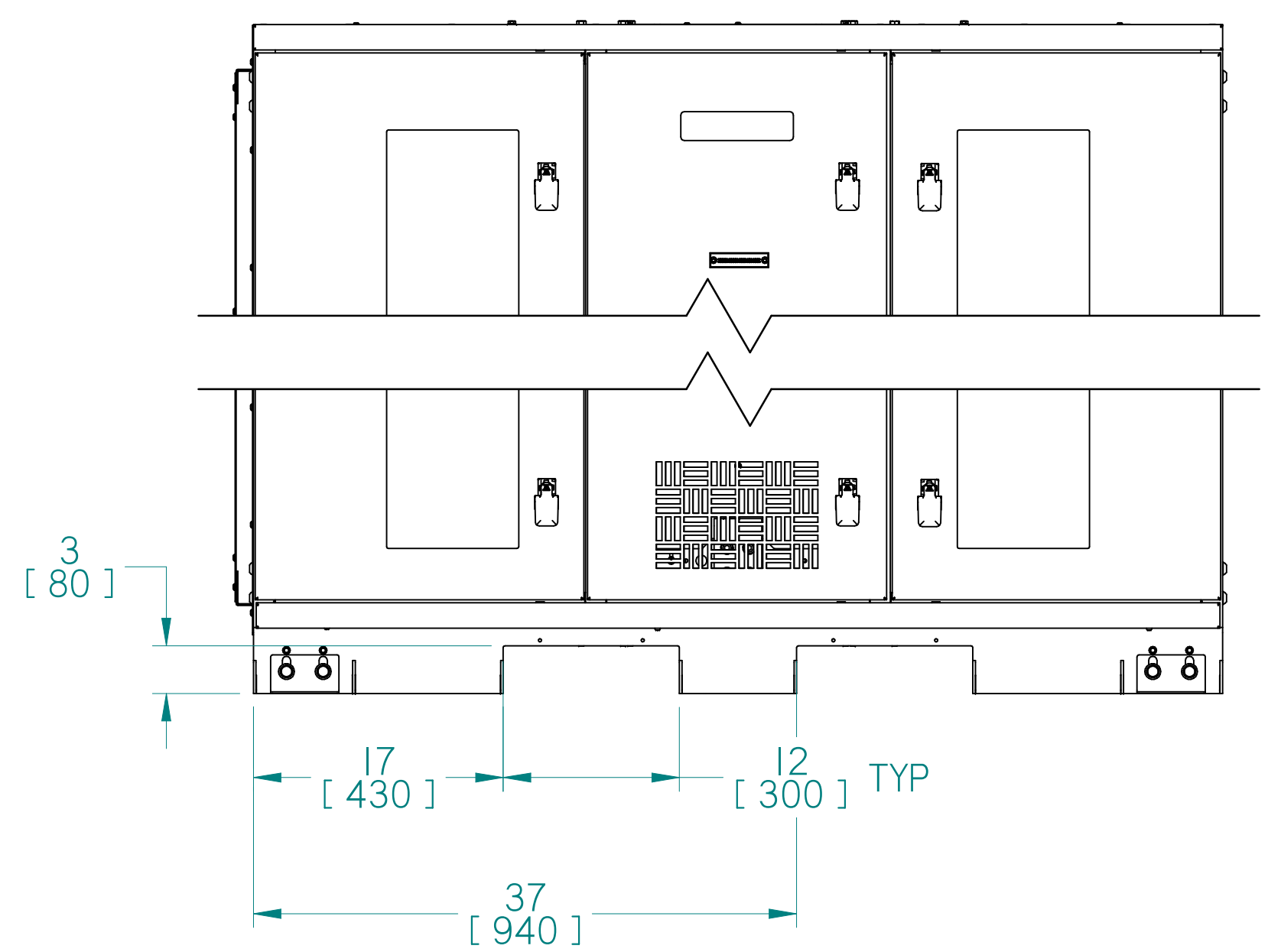
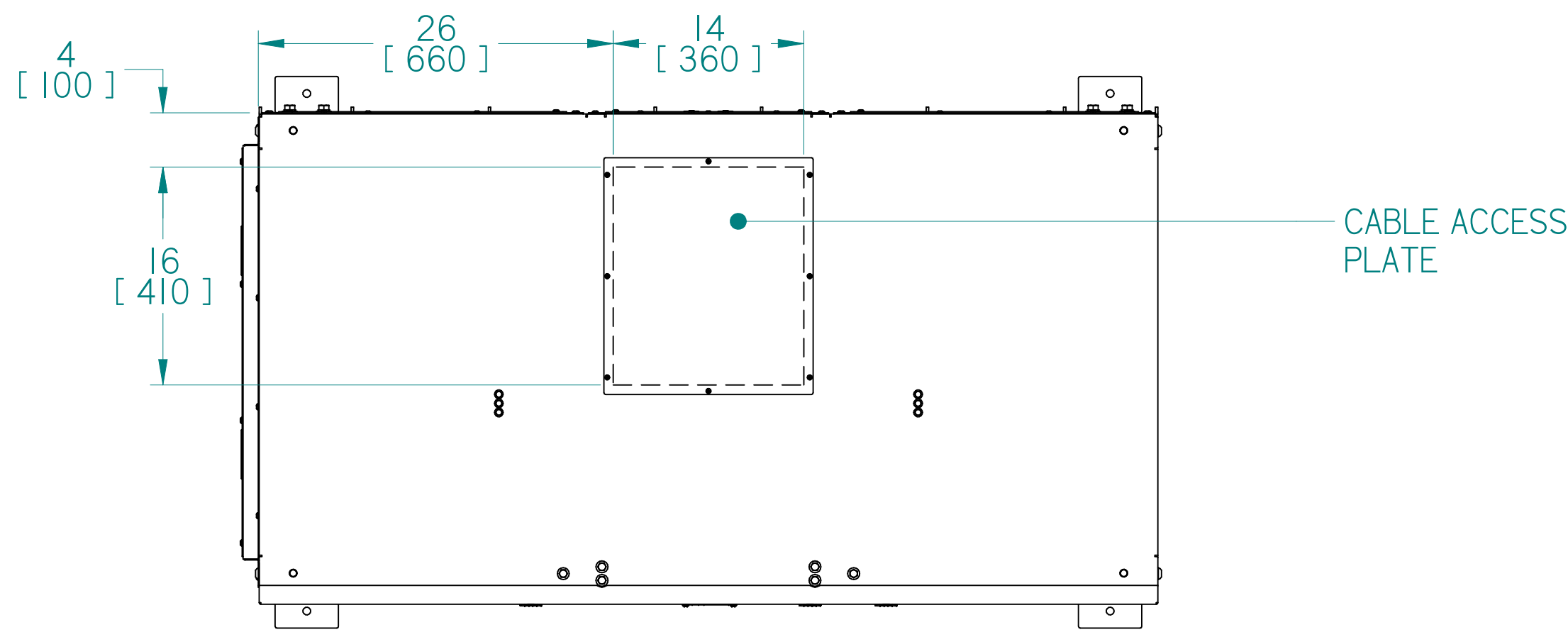
DWN DRT	DATE 11/10/2023	SIZE	FSCM NO.	DWG NO.	REV
CHK NEM	DATE 11/10/2023	D		94-MS-01125401	B
APVD DRT	DATE 11/10/2023	SCALE 1:10	94-MS-01125401-BSHT1	SHEET	1 of 10

REVISIONS				
ECN	REV	DESCRIPTION	DATE	APPROVED
-	B	REMOVED NEUTRAL CALLOUTS	02/12/2024	DRT



Copyright © 2024, LayerZero Power Systems, Inc.				
UNLESS OTHERWISE SPECIFIED DIMENSIONS ARE IN INCHES DIMENSIONS IN [] ARE IN mm DO NOT SCALE DRAWING		 LAYERZERO POWER SYSTEMS, INC.		
TOLERANCES: .XX ± .03 .XXX ± .010 ANGULAR ± .1/2		OUTLINE, MOUNTING, INSTALLATION DIAGRAM QTY (72) ROWS FOR SUBFEED CIRCUIT BREAKERS QTY (2) 1200A SAFE-PANEL SUB-FEED DISTRIBUTION ERDPARM		
DWN DRT	DATE 11/10/2023	SIZE D	FSCM NO.	DWG NO. 94-MS-01125401
CHK NEM	DATE 11/10/2023	SCALE 1:1	94-MS-01125401-BSHT2	REV B
APVD DRT	DATE 11/10/2023	SHEET 2 of 10		

REVISIONS				
ECN	REV	DESCRIPTION	DATE	APPROVED
-	B	REMOVED NEUTRAL CALLOUTS	02/12/2024	DRT



Copyright © 2024, LayerZero Power Systems, Inc.

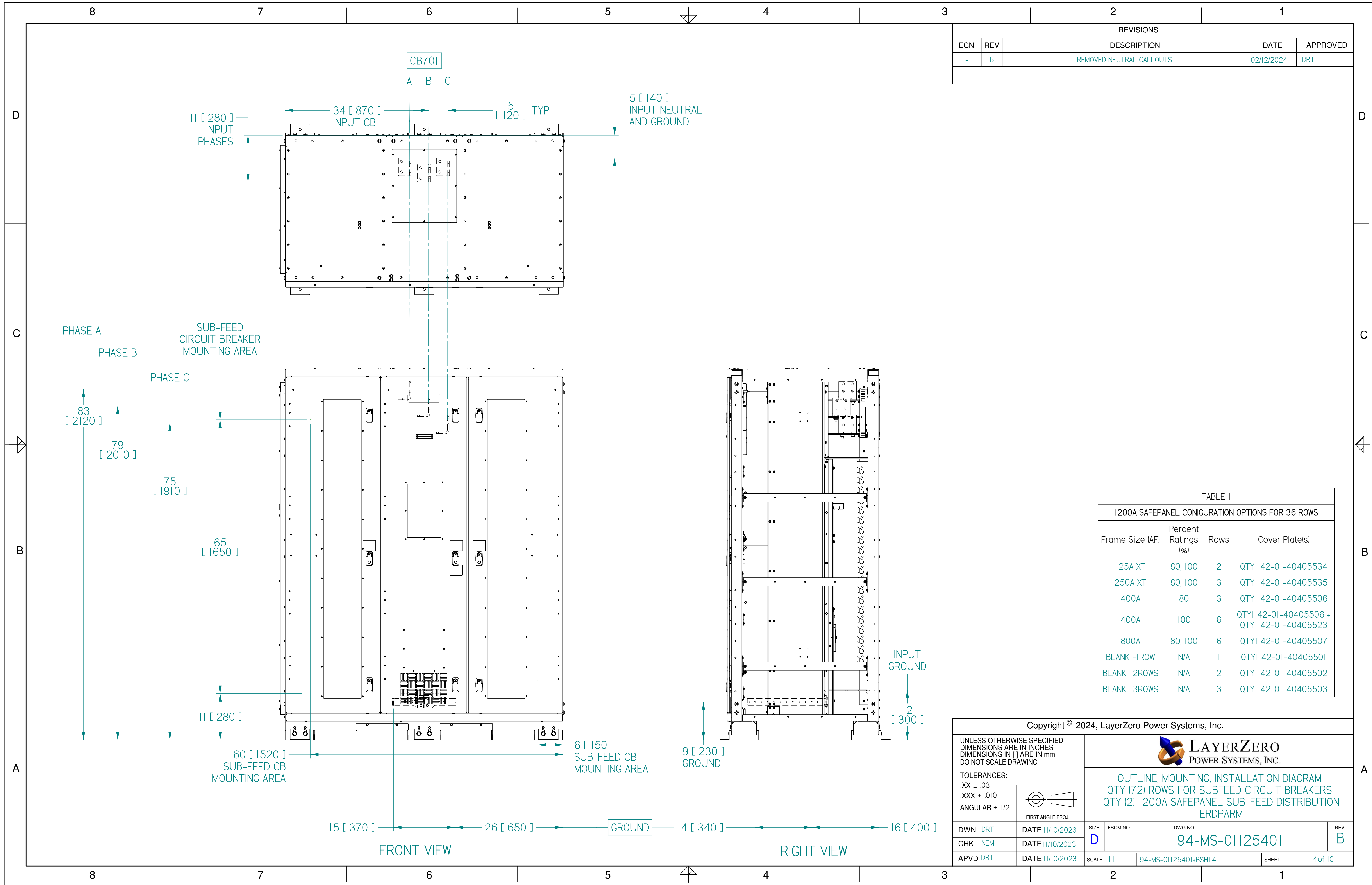
UNLESS OTHERWISE SPECIFIED
DIMENSIONS ARE IN INCHES
DIMENSIONS IN [] ARE IN mm
DO NOT SCALE DRAWING

TOLERANCES:
.XX ± .03
.XXX ± .010
ANGULAR ± .1/2

FIRST ANGLE PROJ.

OUTLINE, MOUNTING, INSTALLATION DIAGRAM
QTY (72) ROWS FOR SUBFEED CIRCUIT BREAKERS
QTY (2) 1200A SAFEPANEL SUB-FEED DISTRIBUTION
ERDPARM

DWN DRT	DATE 11/10/2023	SIZE D	FSCM NO.	DWG NO. 94-MS-01125401	REV B
CHK NEM	DATE 11/10/2023	SCALE 1:1		94-MS-01125401-BSHT3	SHEET 3 of 10
APVD DRT	DATE 11/10/2023				



REVISIONS				
ECN	REV	DESCRIPTION	DATE	APPROVED
-	B	REMOVED NEUTRAL CALLOUTS	02/12/2024	DRT

Frame Size (AF)	Percent Ratings (%)	Rows	Cover Plates
125A XT	80, 100	2	QTY1 42-01-40405534
250A XT	80, 100	3	QTY1 42-01-40405535
400A	80	3	QTY1 42-01-40405506
400A	100	6	QTY1 42-01-40405506 + QTY1 42-01-40405523
800A	80, 100	6	QTY1 42-01-40405507
BLANK -1ROW	N/A	1	QTY1 42-01-40405501
BLANK -2ROWS	N/A	2	QTY1 42-01-40405502
BLANK -3ROWS	N/A	3	QTY1 42-01-40405503

Copyright © 2024, LayerZero Power Systems, Inc.

UNLESS OTHERWISE SPECIFIED DIMENSIONS ARE IN INCHES DIMENSIONS IN [] ARE IN mm DO NOT SCALE DRAWING

TOLERANCES:
 .XX ± .03
 .XXX ± .010
 ANGULAR ± .1/2

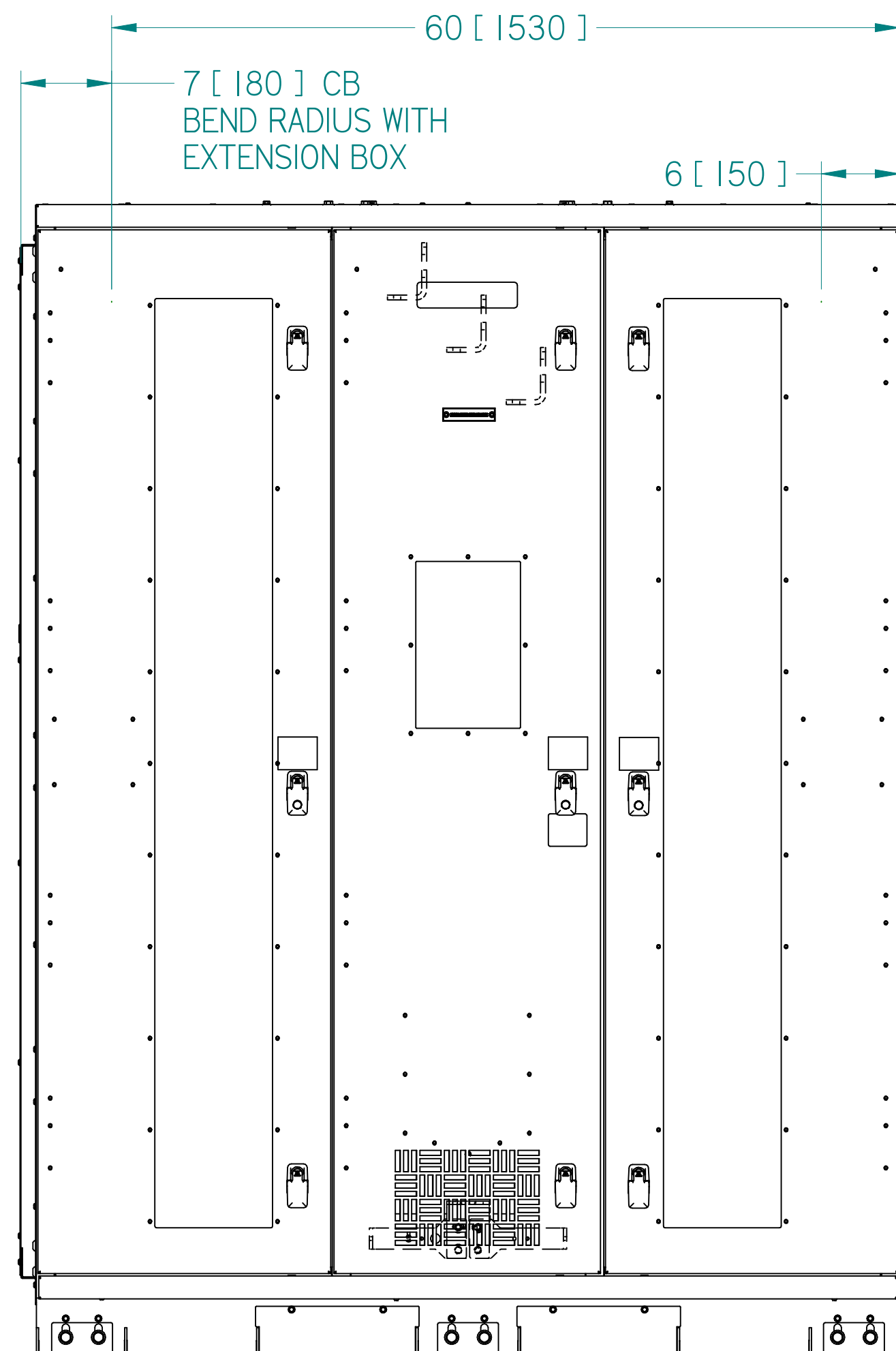
FIRST ANGLE PROJ.

LAYERZERO
POWER SYSTEMS, INC.

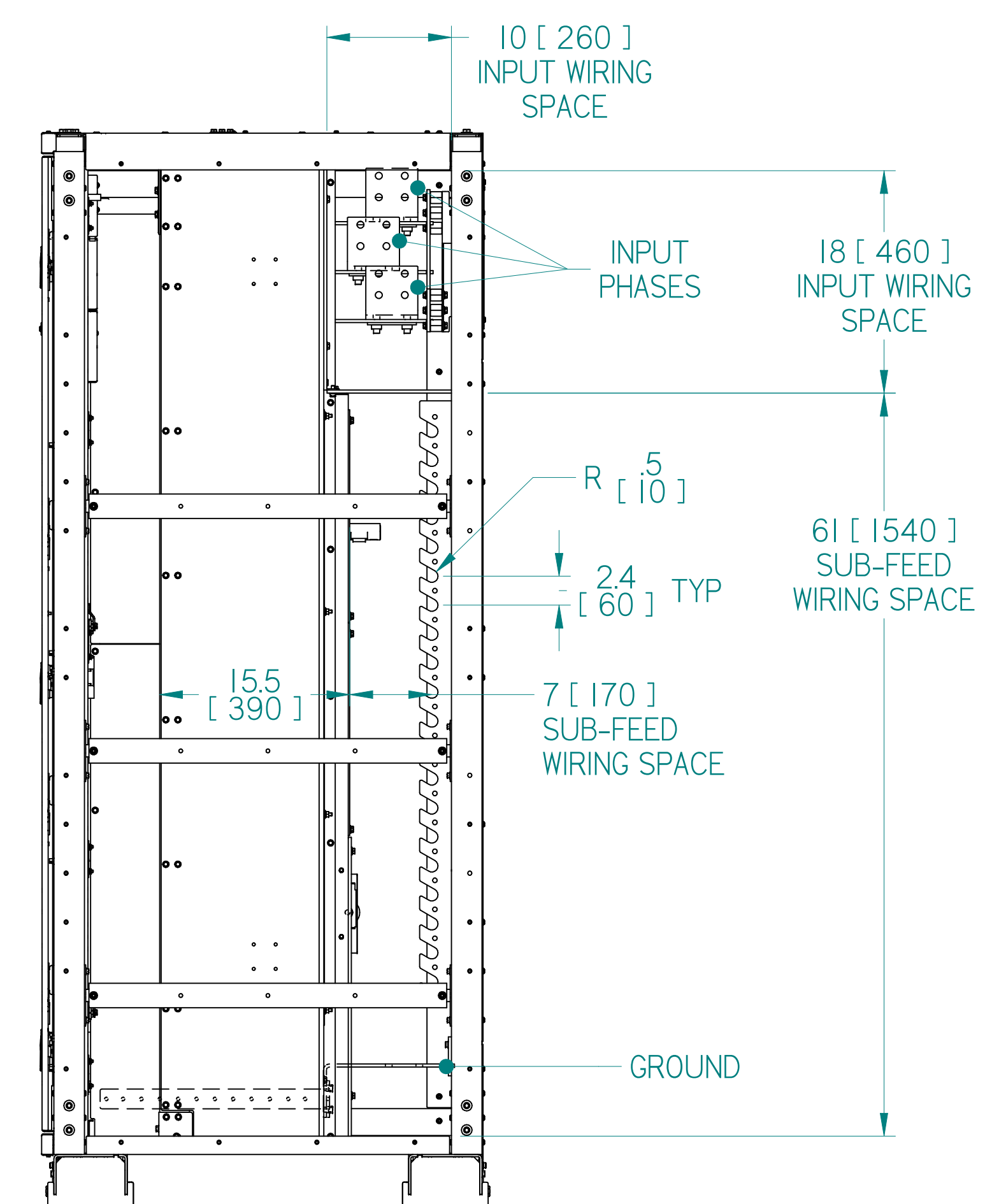
OUTLINE, MOUNTING, INSTALLATION DIAGRAM
 QTY (72) ROWS FOR SUBFEED CIRCUIT BREAKERS
 QTY (2) 1200A SAFE PANEL SUB-FEED DISTRIBUTION ERDPARM

DWN DRT	DATE 11/10/2023	SIZE	FSCM NO.	DWG NO.	REV
CHK NEM	DATE 11/10/2023	D		94-MS-01125401	B
APVD DRT	DATE 11/10/2023	SCALE 1:1	94-MS-01125401-BSHT4	SHEET	4 of 10

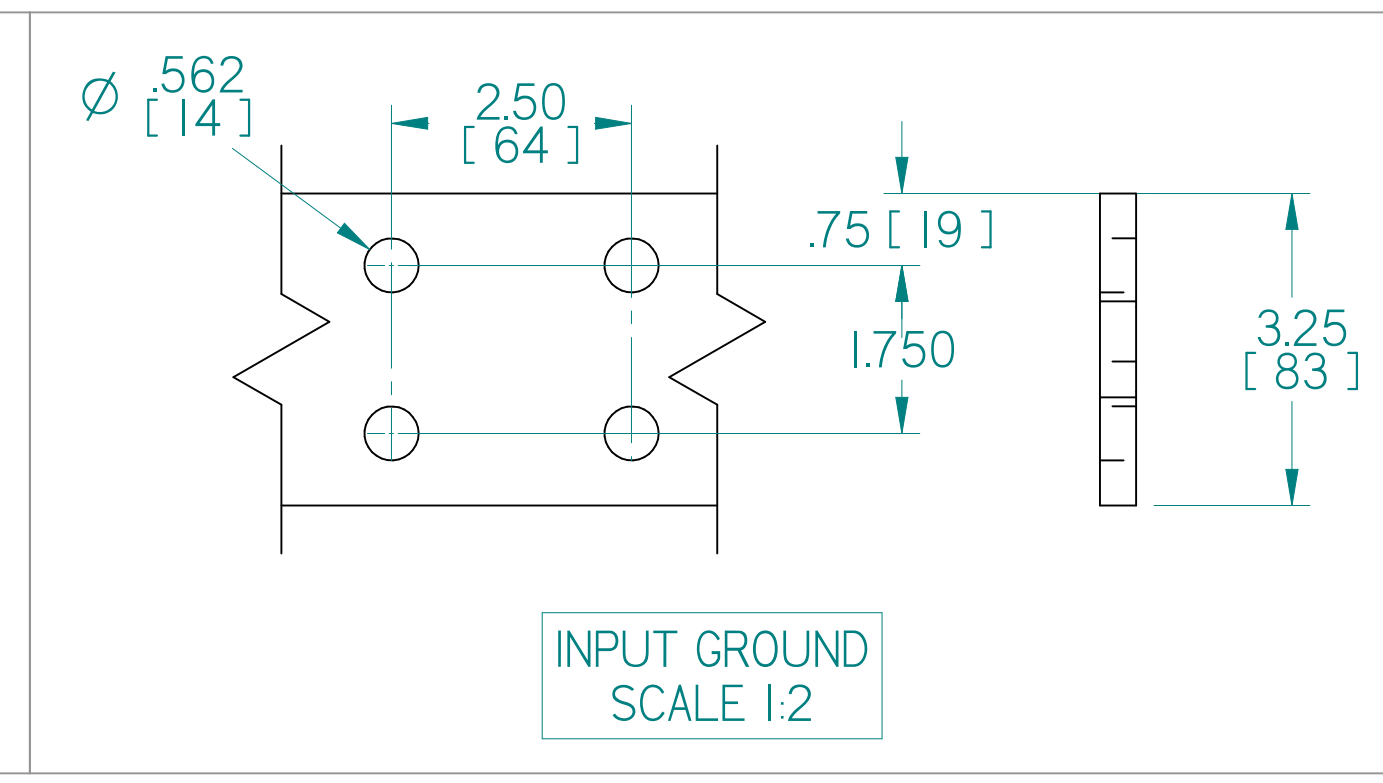
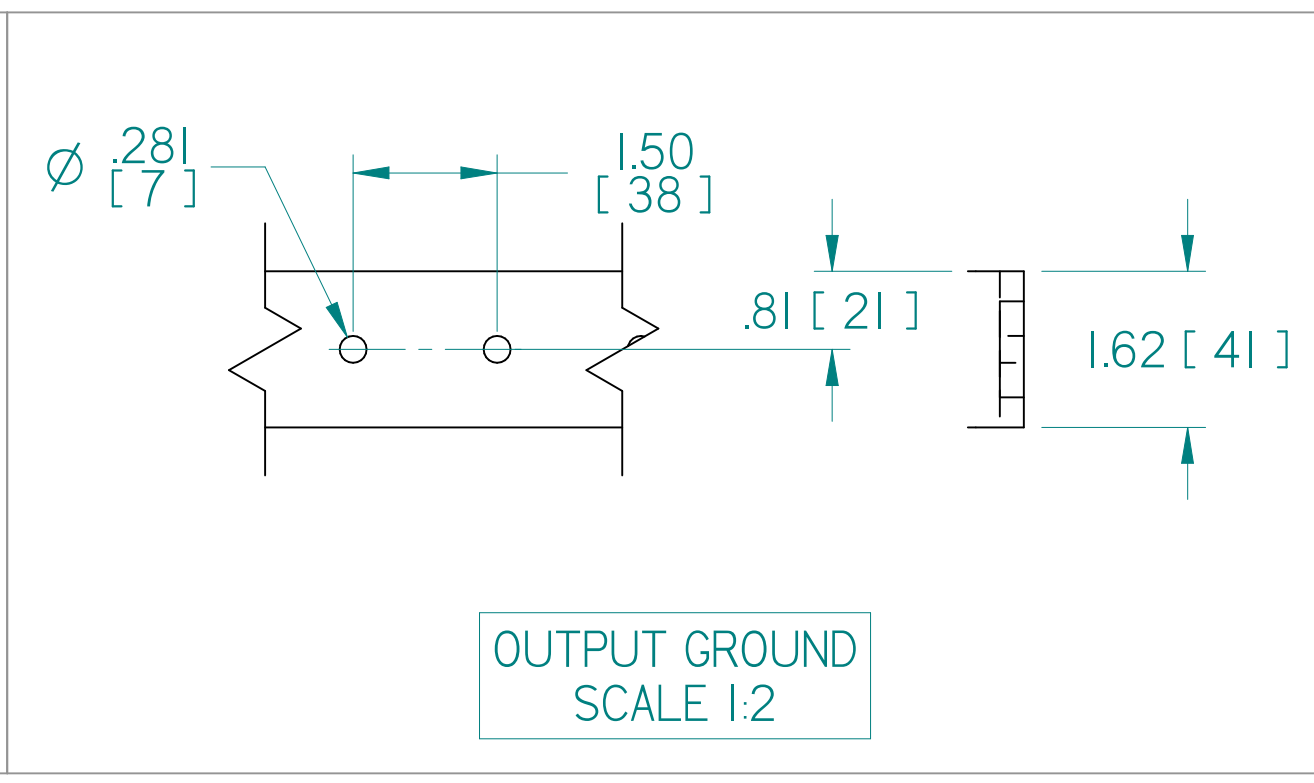
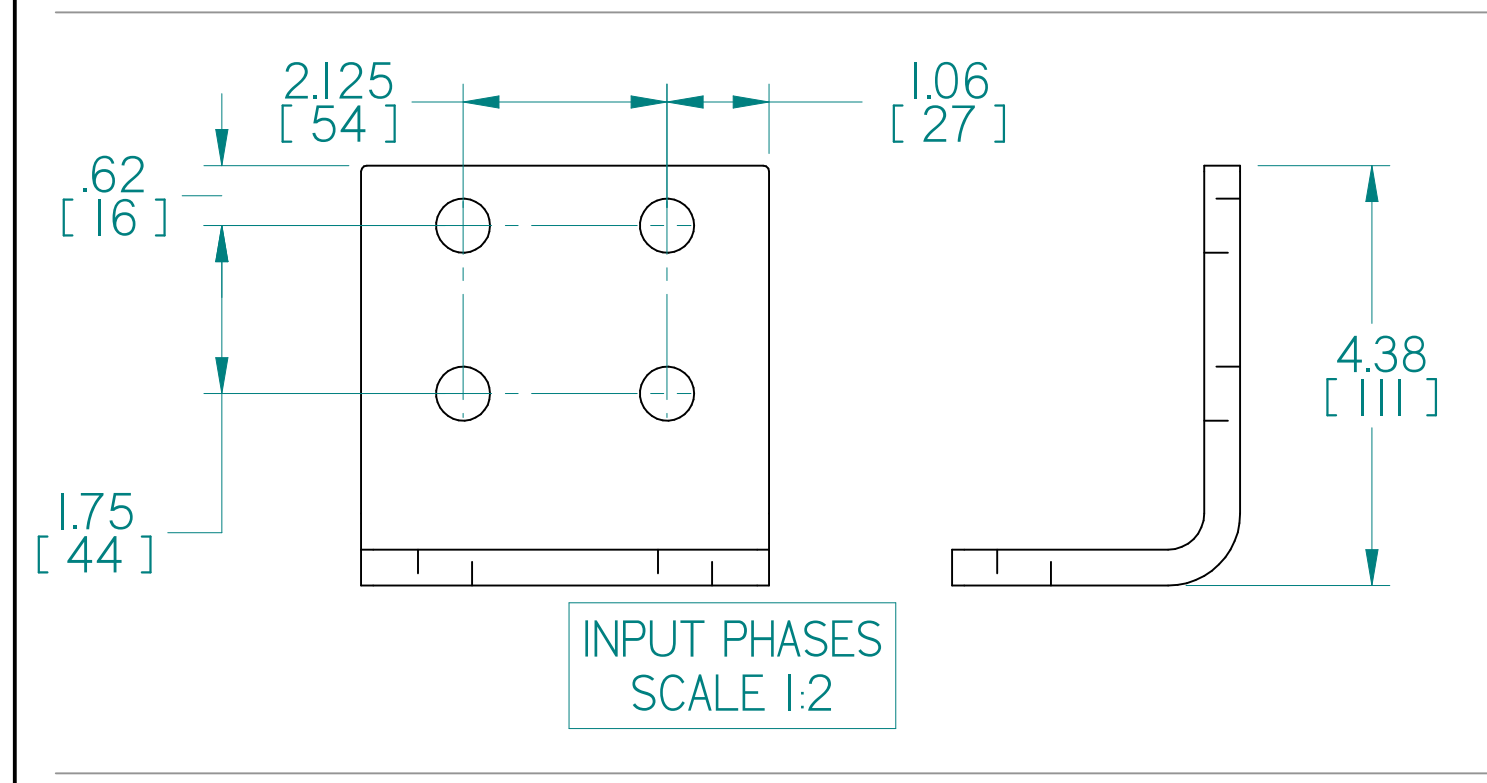
REVISIONS				
ECN	REV	DESCRIPTION	DATE	APPROVED
-	B	REMOVED NEUTRAL CALLOUTS	02/12/2024	DRT



FRONT VIEW



RIGHT VIEW



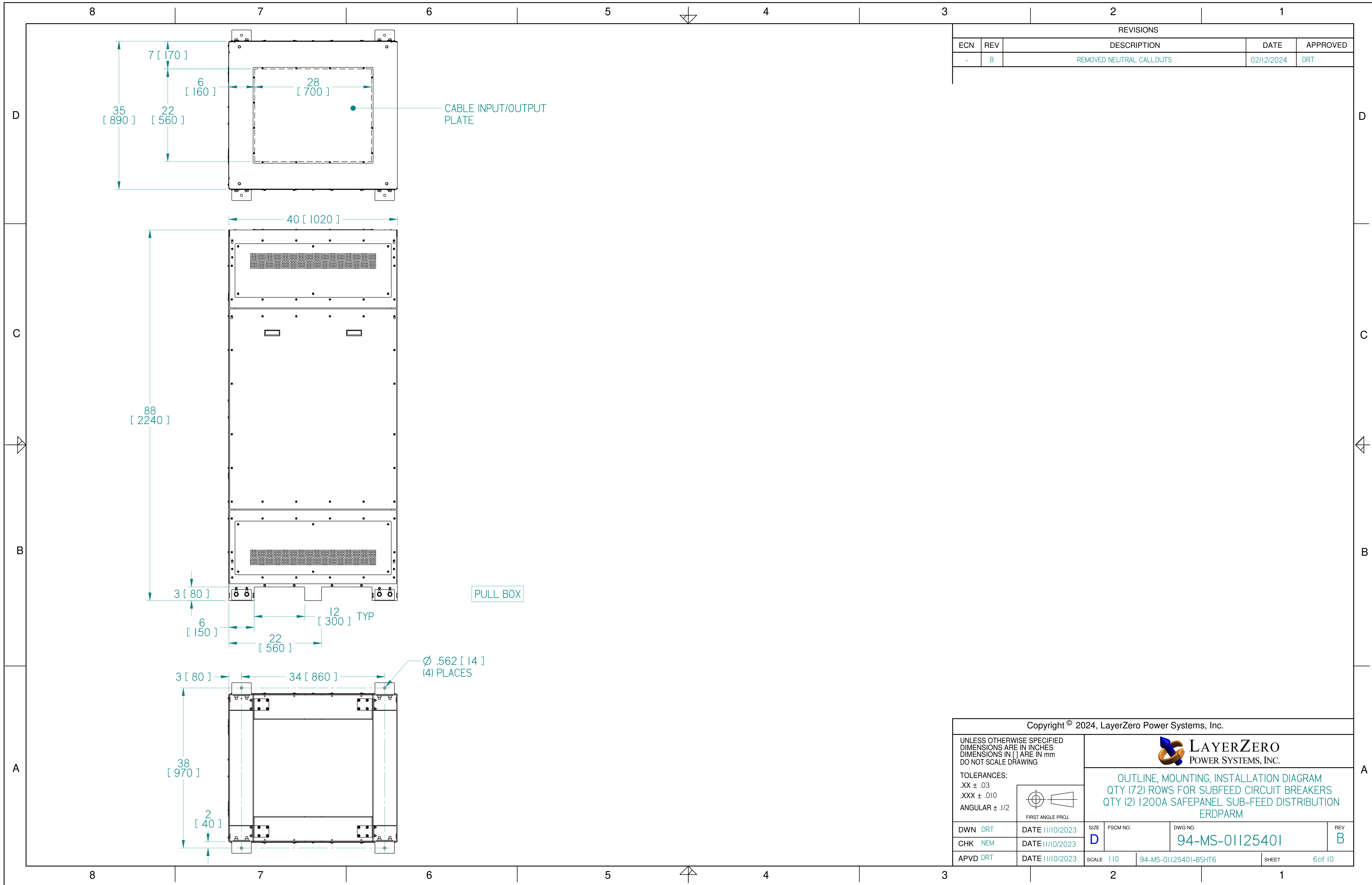
Copyright © 2024, LayerZero Power Systems, Inc.

UNLESS OTHERWISE SPECIFIED
DIMENSIONS ARE IN INCHES
DIMENSIONS IN [] ARE IN mm
DO NOT SCALE DRAWING

LAYERZERO
POWER SYSTEMS, INC.

OUTLINE, MOUNTING, INSTALLATION DIAGRAM
QTY (72) ROWS FOR SUBFEED CIRCUIT BREAKERS
QTY (2) 1200A SAFEPANEL SUB-FEED DISTRIBUTION
ERDPARM

DWN DRT	DATE 11/10/2023	SIZE D	FSCM NO.	DWG NO.	REV B
CHK NEM	DATE 11/10/2023			94-MS-01125401	
APVD DRT	DATE 11/10/2023	SCALE 1:2	94-MS-01125401-BSHT5	SHEET	5 of 10



REVISIONS				
ECN	REV	DESCRIPTION	DATE	APPROVED
-	B	REMOVED NEUTRAL CALLOUTS	02/12/2024	DRT

Copyright © 2024, LayerZero Power Systems, Inc.

UNLESS OTHERWISE SPECIFIED
DIMENSIONS ARE IN INCHES
DIMENSIONS IN [] ARE IN mm
DO NOT SCALE DRAWING

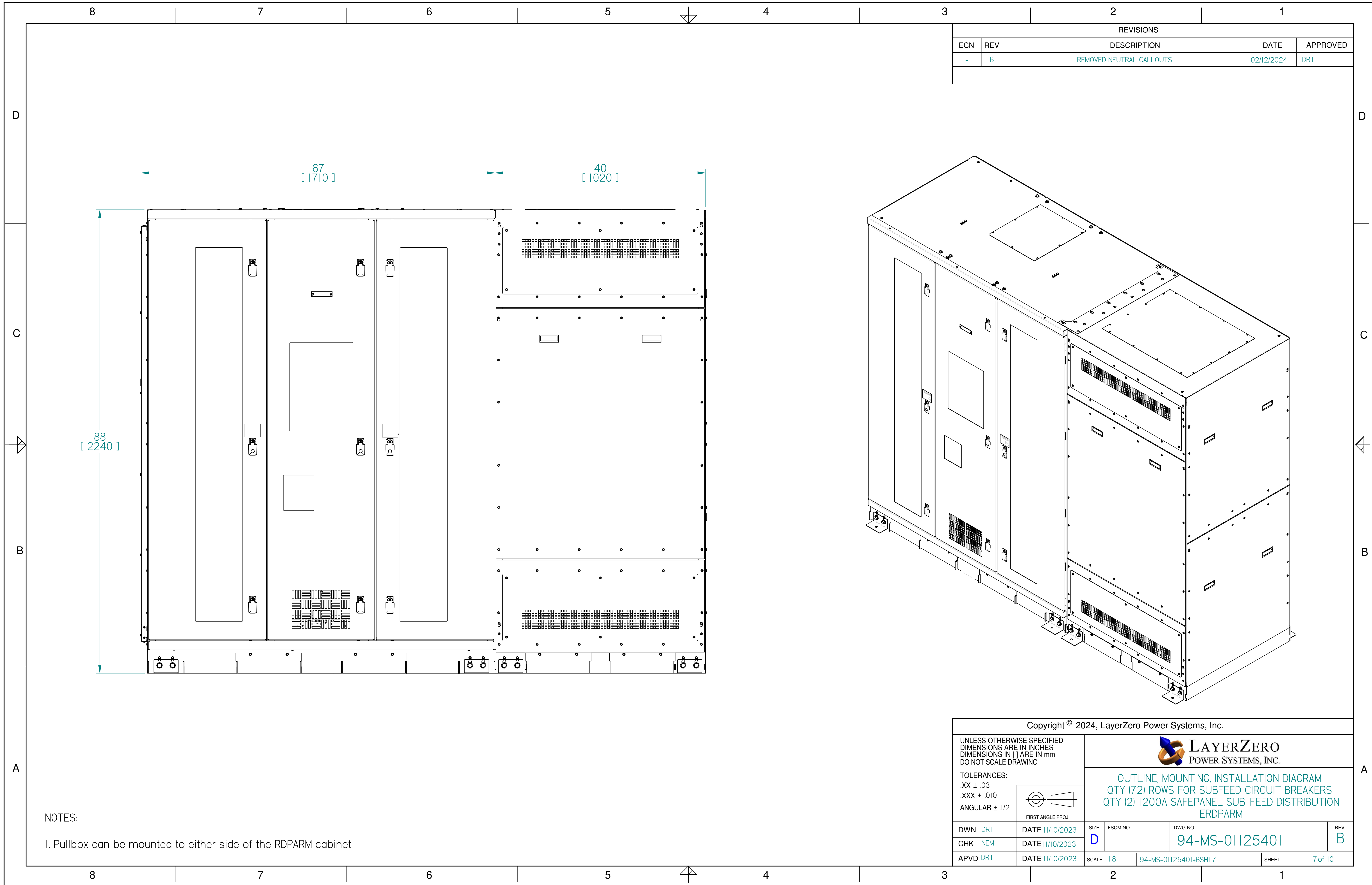
TOLERANCES:
.XX ± .03
.XXX ± .010
ANGULAR ± .1/2

FIRST ANGLE PROJ.

LAYERZERO
POWER SYSTEMS, INC.

OUTLINE, MOUNTING, INSTALLATION DIAGRAM
QTY (72) ROWS FOR SUBFEED CIRCUIT BREAKERS
QTY (2) 1200A SAFEPANEL SUB-FEED DISTRIBUTION
ERDPARM

DWN DRT	DATE 11/10/2023	SIZE	FSCM NO.	DWG NO.	REV
CHK NEM	DATE 11/10/2023	D		94-MS-01125401	B
APVD DRT	DATE 11/10/2023	SCALE 1:10	94-MS-01125401-BSHT6	SHEET	6 of 10



REVISIONS				
ECN	REV	DESCRIPTION	DATE	APPROVED
-	B	REMOVED NEUTRAL CALLOUTS	02/12/2024	DRT

NOTES:
 I. Pullbox can be mounted to either side of the RDPARM cabinet

Copyright © 2024, LayerZero Power Systems, Inc.

UNLESS OTHERWISE SPECIFIED
 DIMENSIONS ARE IN INCHES
 DIMENSIONS IN [] ARE IN mm
 DO NOT SCALE DRAWING

TOLERANCES:
 .XX ± .03
 .XXX ± .010
 ANGULAR ± .1/2

FIRST ANGLE PROJ.

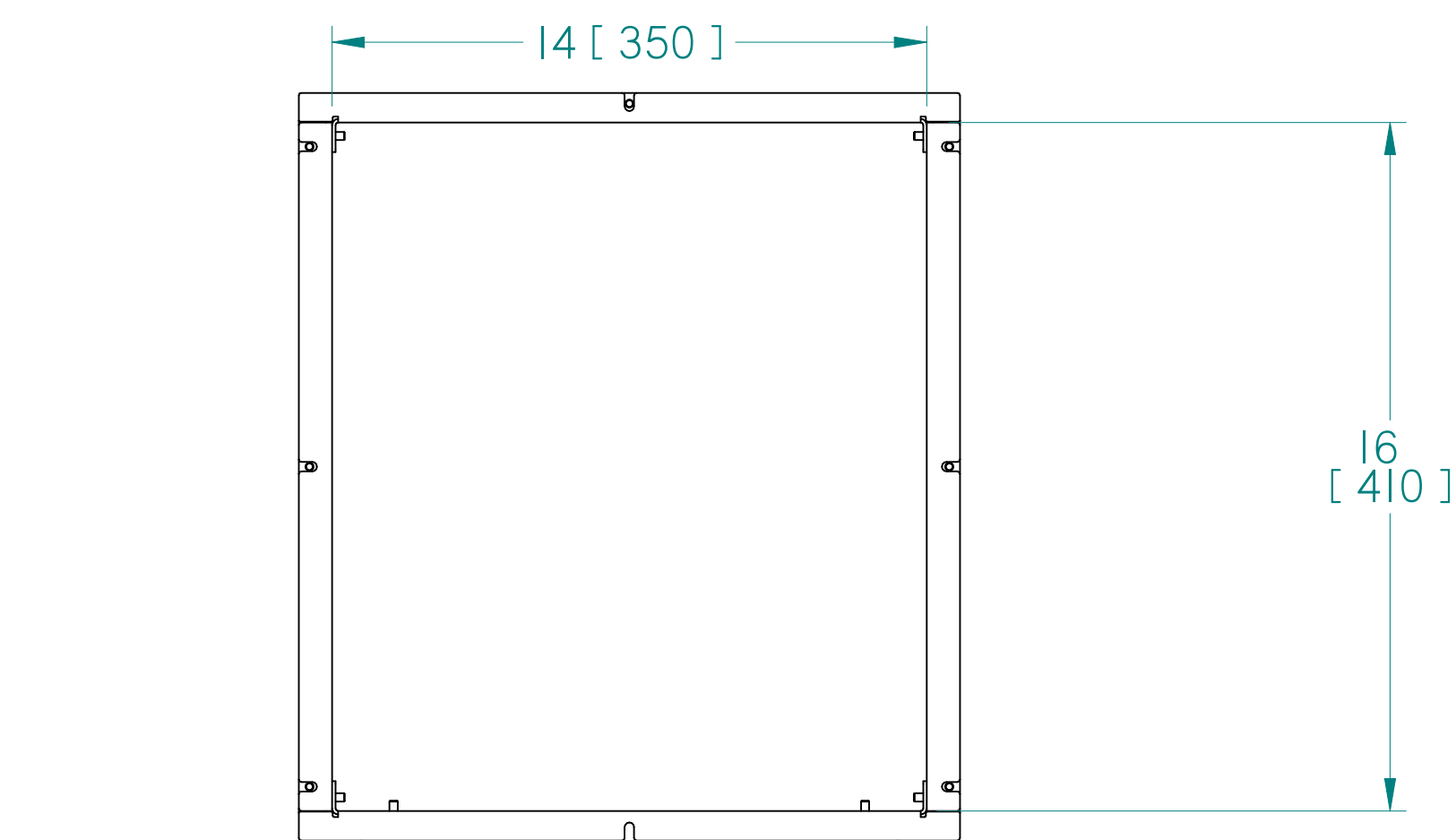
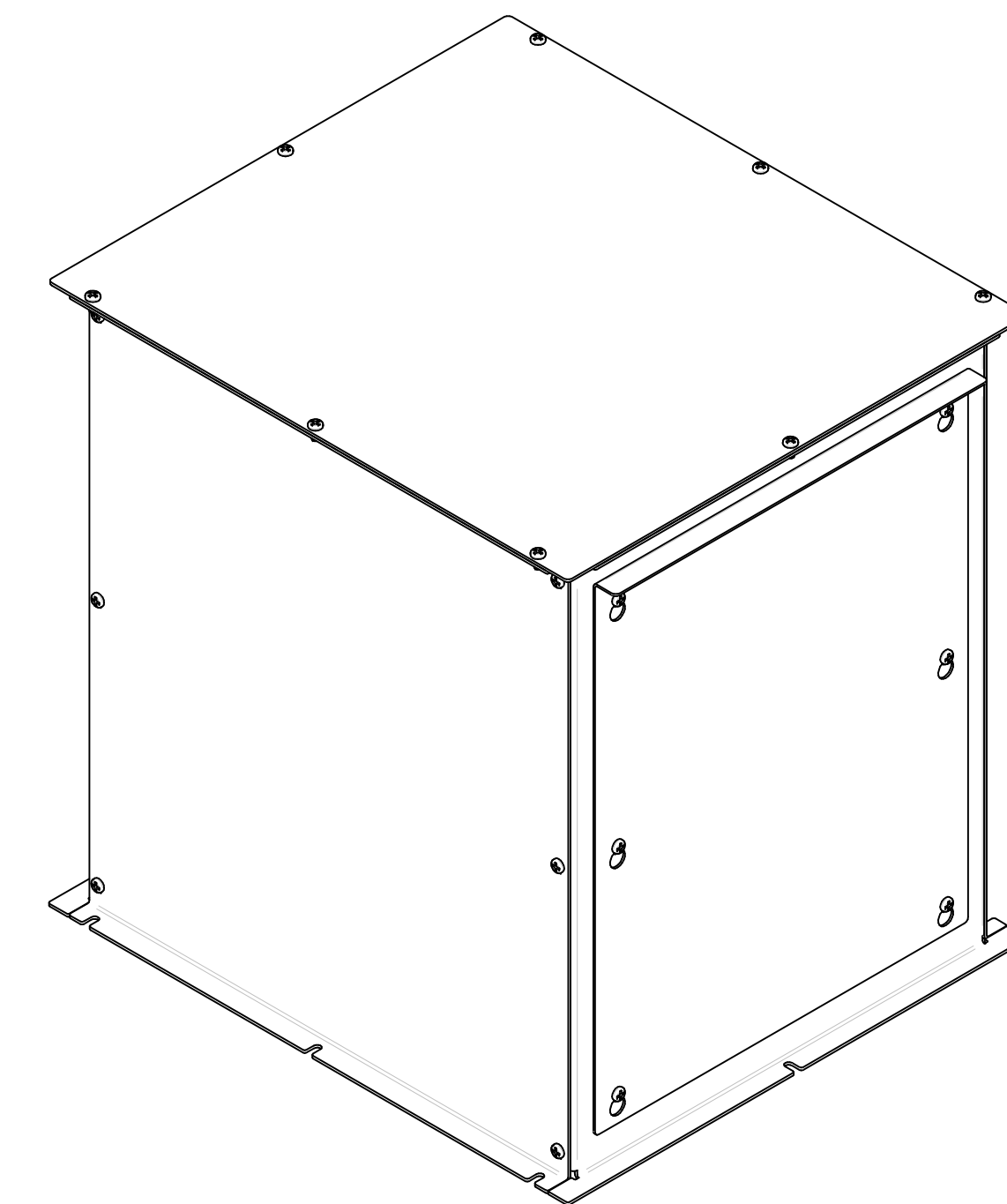
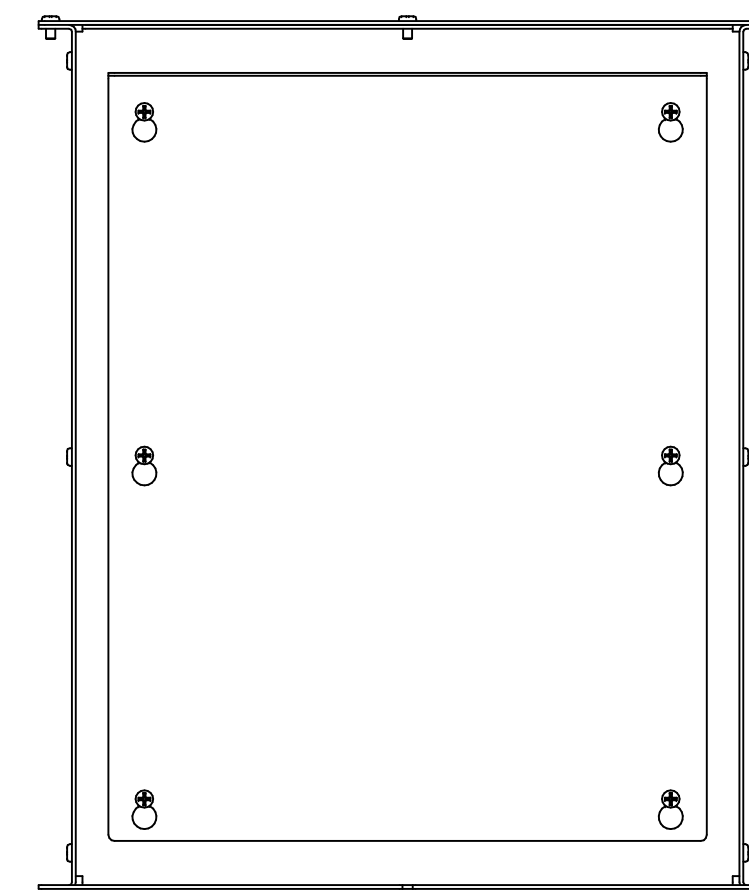
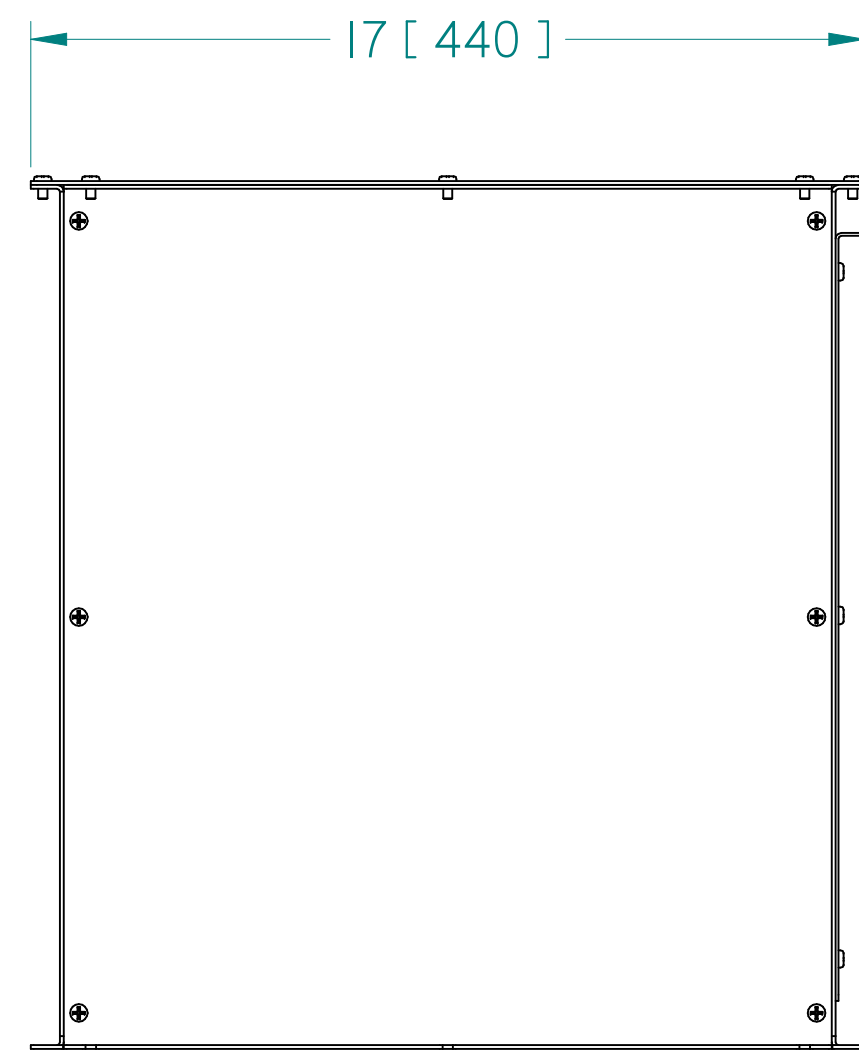
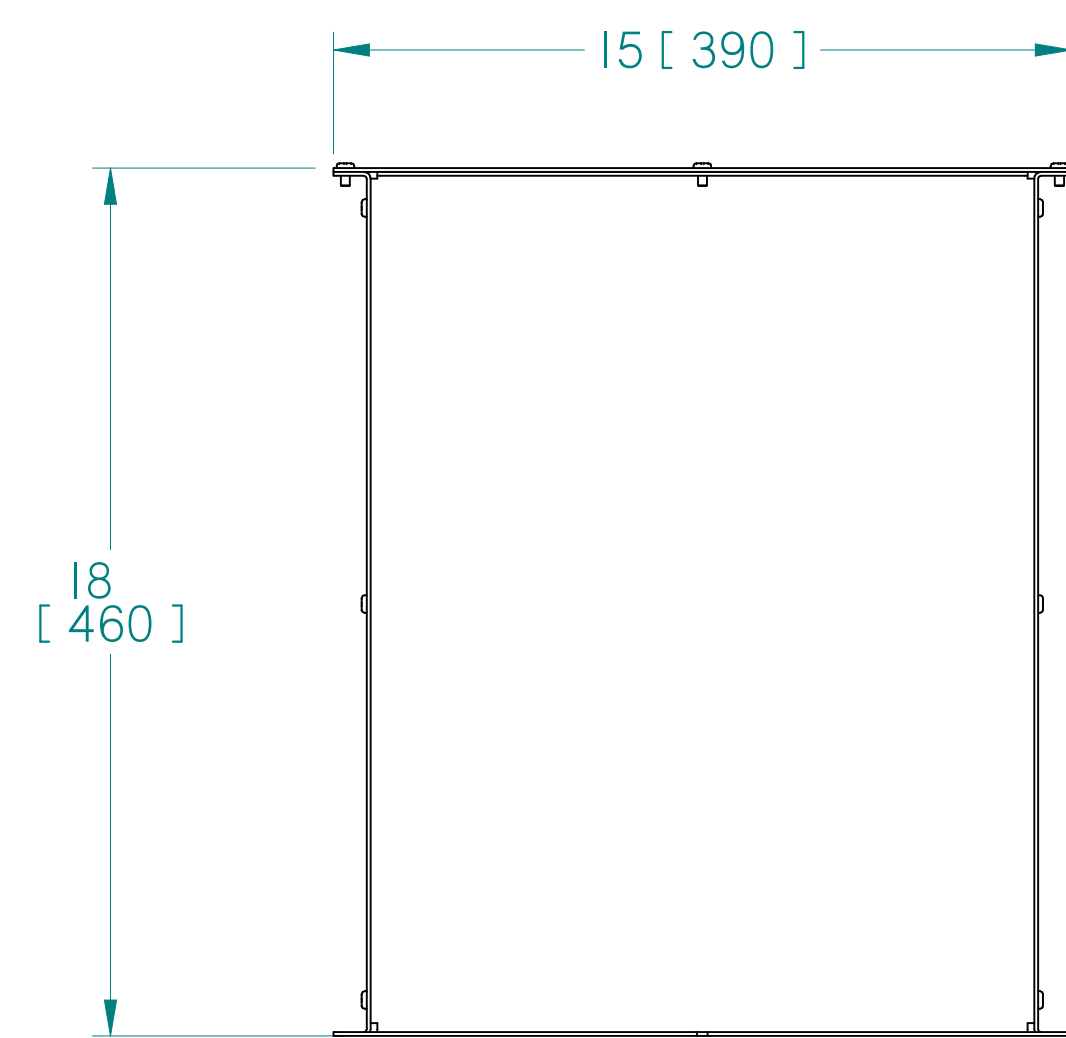
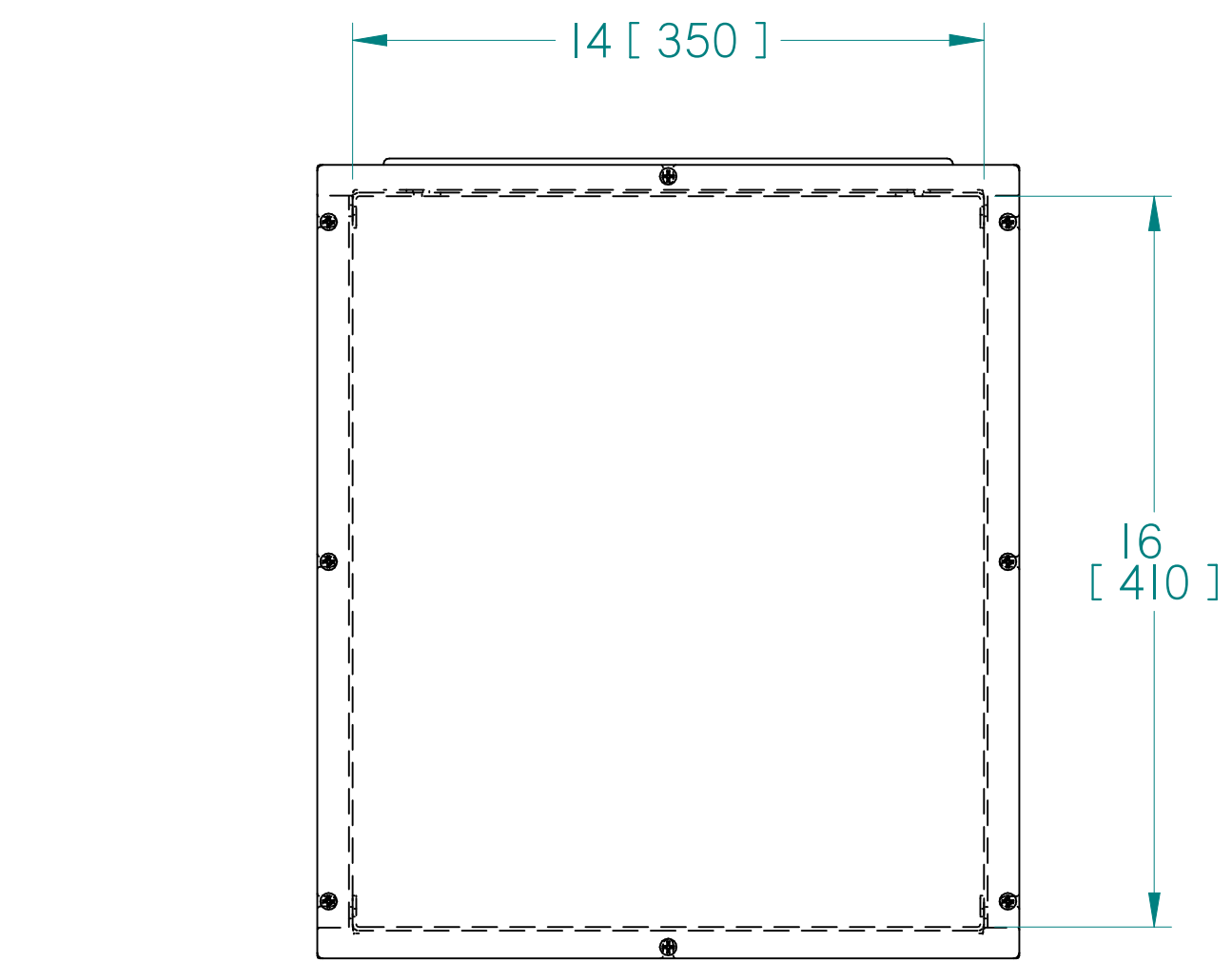
LAYERZERO
 POWER SYSTEMS, INC.

OUTLINE, MOUNTING, INSTALLATION DIAGRAM
 QTY (72) ROWS FOR SUBFEED CIRCUIT BREAKERS
 QTY (2) 1200A SAFEANEL SUB-FEED DISTRIBUTION
 ERDPARM

DWN DRT	DATE 11/10/2023	SIZE D	FSCM NO.	DWG NO. 94-MS-01125401	REV B
CHK NEM	DATE 11/10/2023	SCALE 1:8		94-MS-01125401-BSHT7	SHEET 7 of 10
APVD DRT	DATE 11/10/2023				

42-00-40513512+A


REVISIONS				
ECN	REV	DESCRIPTION	DATE	APPROVED
-	B	REMOVED NEUTRAL CALLOUTS	02/12/2024	DRT

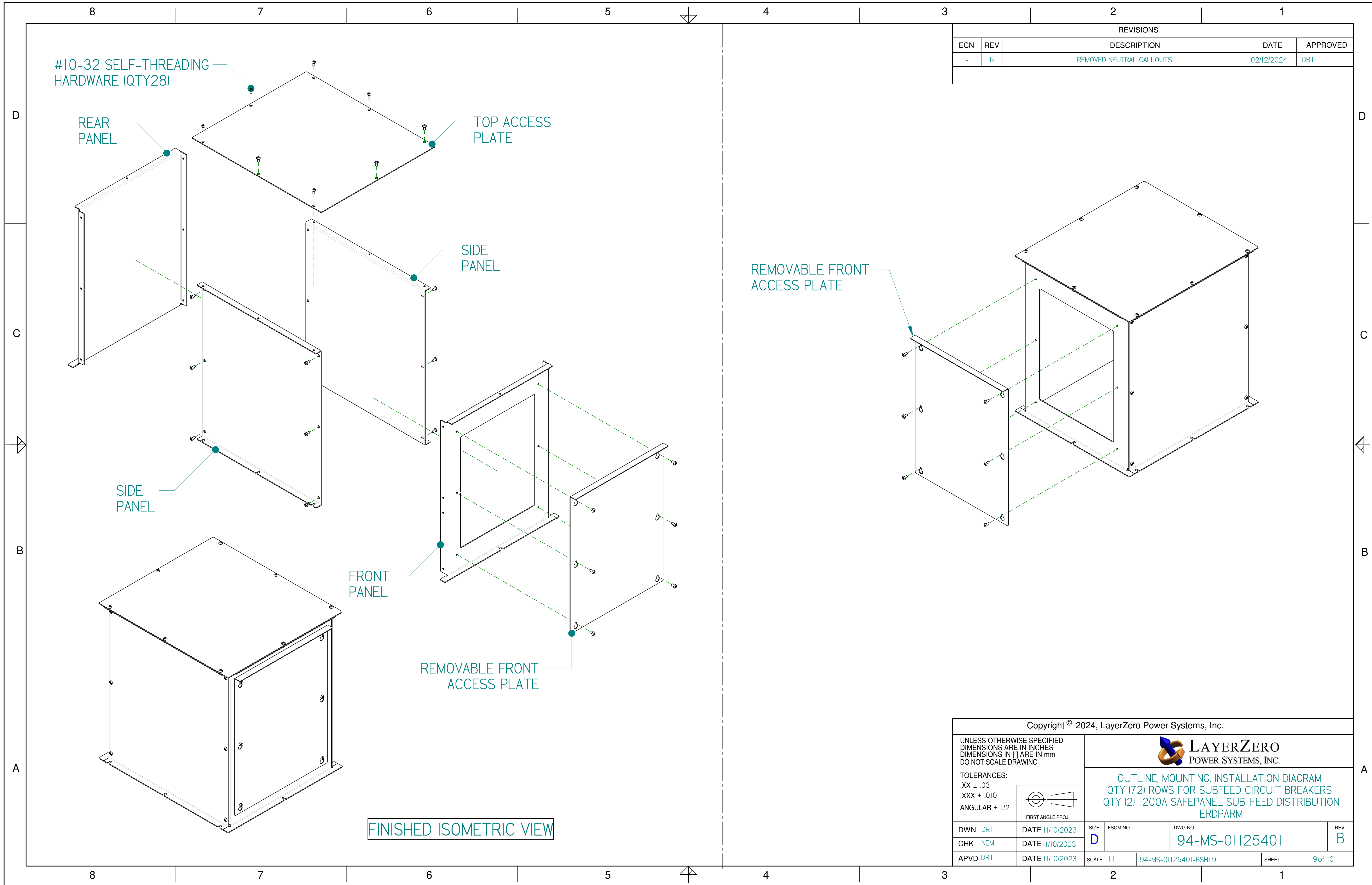


NOTES:

- I. Standard 18IN junction box supplied for top cable exit.
- A removable front cover is supplied for cable pull and intermittent thermal testing.

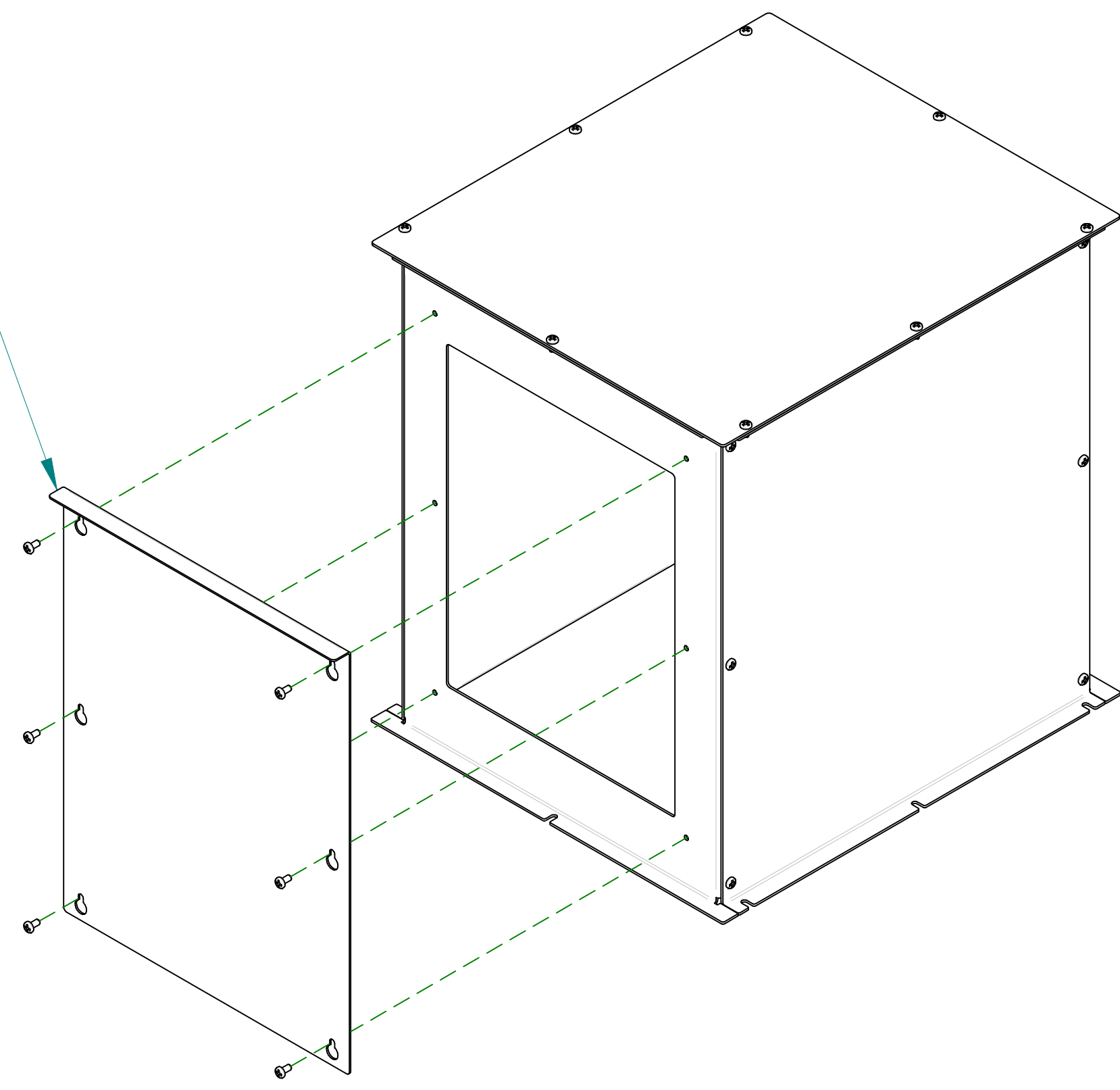
Copyright © 2024, LayerZero Power Systems, Inc.

UNLESS OTHERWISE SPECIFIED DIMENSIONS ARE IN INCHES DIMENSIONS IN [] ARE IN mm DO NOT SCALE DRAWING		 <p>LAYERZERO POWER SYSTEMS, INC.</p>			
TOLERANCES: .XX ± .03 .XXX ± .010 ANGULAR ± .1/2				<p>OUTLINE, MOUNTING, INSTALLATION DIAGRAM QTY (72) ROWS FOR SUBFEED CIRCUIT BREAKERS QTY (2) 1200A SAFEPANEL SUB-FEED DISTRIBUTION ERDPARM</p>	
DWN DRT	DATE 11/10/2023	SIZE D	FSCM NO.	DWG NO. 94-MS-01125401	REV B
CHK NEM	DATE 11/10/2023	SCALE 1:1		94-MS-01125401-BSHT8	SHEET 8 of 10
APVD DRT	DATE 11/10/2023				



REVISIONS				
ECN	REV	DESCRIPTION	DATE	APPROVED
-	B	REMOVED NEUTRAL CALLOUTS	02/12/2024	DRT

REMOVABLE FRONT ACCESS PLATE



Copyright © 2024, LayerZero Power Systems, Inc.

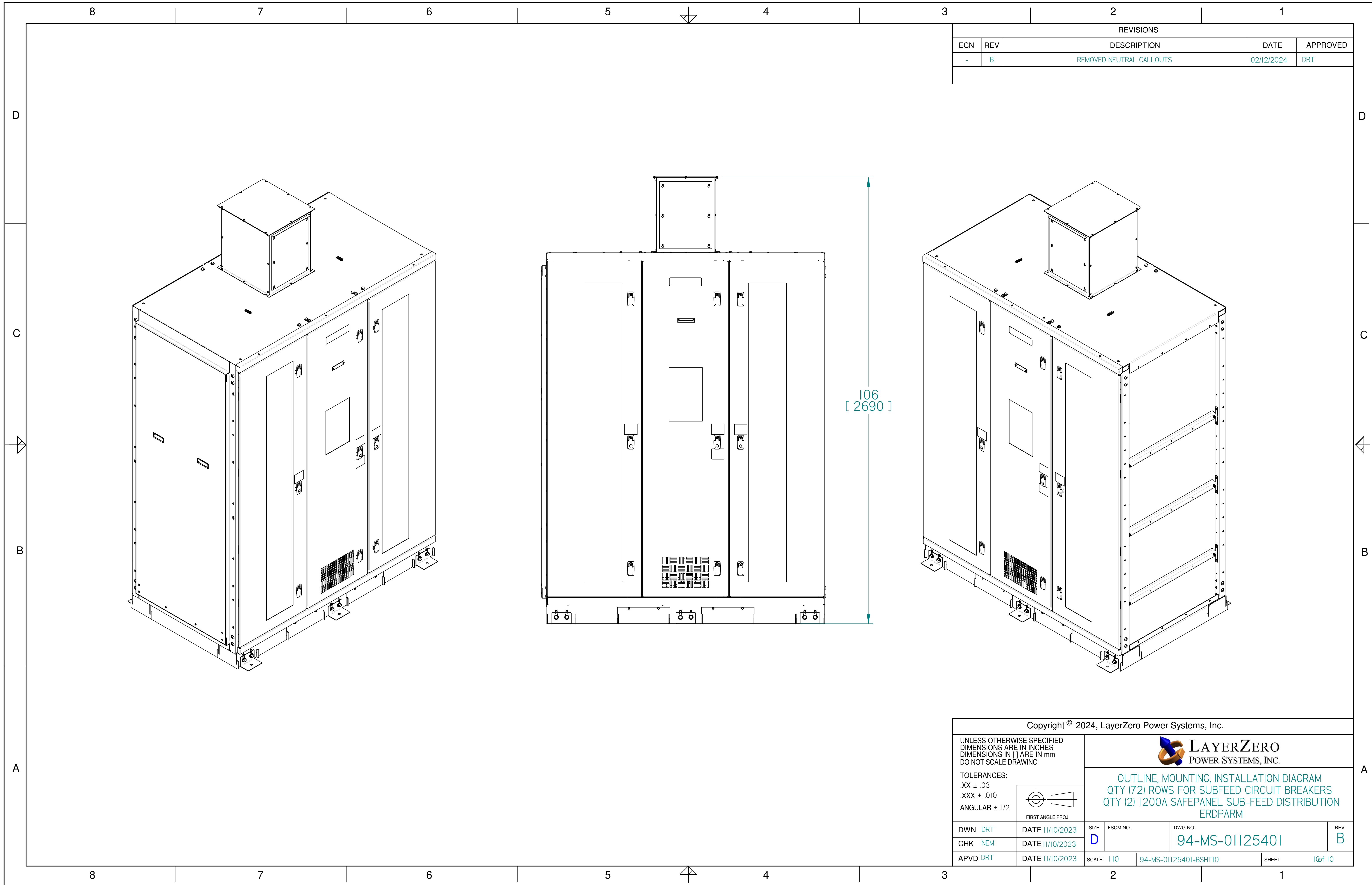
UNLESS OTHERWISE SPECIFIED
DIMENSIONS ARE IN INCHES
DIMENSIONS IN [] ARE IN mm
DO NOT SCALE DRAWING

TOLERANCES:
.XX ± .03
.XXX ± .010
ANGULAR ± .1/2

FIRST ANGLE PROJ.

OUTLINE, MOUNTING, INSTALLATION DIAGRAM
QTY (72) ROWS FOR SUBFEED CIRCUIT BREAKERS
QTY (2) 1200A SAFE PANEL SUB-FEED DISTRIBUTION
ERDPARM

DWN DRT	DATE 11/10/2023	SIZE	FSCM NO.	DWG NO.	REV
CHK NEM	DATE 11/10/2023	D		94-MS-01125401	B
APVD DRT	DATE 11/10/2023	SCALE 1:1	94-MS-01125401-BSHT9	SHEET	9 of 10



REVISIONS				
ECN	REV	DESCRIPTION	DATE	APPROVED
-	B	REMOVED NEUTRAL CALLOUTS	02/12/2024	DRT

106
[2690]

Copyright © 2024, LayerZero Power Systems, Inc.

UNLESS OTHERWISE SPECIFIED
DIMENSIONS ARE IN INCHES
DIMENSIONS IN [] ARE IN mm
DO NOT SCALE DRAWING

TOLERANCES:
.XX ± .03
.XXX ± .010
ANGULAR ± .1/2

FIRST ANGLE PRJ.

OUTLINE, MOUNTING, INSTALLATION DIAGRAM
QTY (72) ROWS FOR SUBFEED CIRCUIT BREAKERS
QTY (2) 1200A SAFEANEL SUB-FEED DISTRIBUTION
ERDPARM

DWN DRT	DATE 11/10/2023	SIZE	FSCM NO.	DWG NO.	REV
CHK NEM	DATE 11/10/2023	D		94-MS-01125401	B
APVD DRT	DATE 11/10/2023	SCALE 1:10	94-MS-01125401-BSHT10	SHEET	10 of 10